



EF SERIES CATALOGUE



“EKA ELECTROTECHNICS “

About us,

 It was founded as manufacturer for Electrical Panel and sheet metal cabins in Ikitelli Organized Industrial Zone in 2011.

It has become one of the leading sheet metal electrical panel and cabin manufacturers in Turkey by constantly investing to their human resource, manufacturing technologies and conforming to the requirements of global standards from its foundation to present.

Our mission,

 Always producing innovative, competitive products by combining the newest technology with the help of expert staff.

Our vision,

 Without seeing the success as sole commercial profit, providing the unconditional customer satisfaction by confirming to cultural and global ethical rules with all of our staff.

Becoming a constantly growing brand in our sector around the world for our country by producing within the scope of international quality standards.



CATALOGUE INDEX



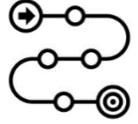
ABOUT EKA	<u>PAGE 1</u>
CATALOGUE INDEX	<u>PAGE 2-3</u>
HOW DO WE PRODUCE	<u>PAGE 4-10</u>
EF SERIES GENERAL	<u>PAGE 11</u>
EF SERIES USAGE AREAS	<u>PAGE 12</u>
EF SERIES TECHNICAL SPECIFICATIONS	<u>PAGE 12</u>
EF SERIES CERTIFICATIONS	<u>PAGE 13</u>
EF SERIES CABINET STRUCTURE	<u>PAGE 14</u>
EF SERIES MEASUREMENTS	<u>PAGE 15</u>
EF SERIES MODULE SETS	<u>PAGE 16-17</u>
EF SERIES BOTTOM COVER SET	<u>PAGE 18</u>
EF SERIES VERTICAL PROFILE SET	<u>PAGE 19</u>
EF SERIES MOUNTING PROFILES	<u>PAGE 20-23</u>
EF SERIES MOUNTING PLATE SETS	<u>PAGE 24</u>
EF SERIES MOUNTING PLATES	<u>PAGE 25-26</u>
EF SERIES DIN RAIL SETS	<u>PAGE 27-28</u>
EF SERIES GENERAL	<u>PAGE 29</u>
EF SERIES CABINET	<u>PAGE 30</u>
EF SERIES CABINET COMBINIG	<u>PAGE 31</u>
EF SERIES COMPENSATION MODULES	<u>PAGE 32-33</u>
EF SERIES COVER PLATE PROFILES	<u>PAGE 34</u>
EF SERIES COVER PLATES	<u>PAGE 35-36</u>
EF SERIES RETURN MODULE SET	<u>PAGE 37</u>
EF SERIES FIXED COVERS	<u>PAGE 38-39</u>
EF SERIES FRONT DOORS	<u>PAGE 40-45</u>
EF SERIES PARTIAL DOORS	<u>PAGE 46-47</u>
EF SERIES ELECTRIC METER PANELS	<u>PAGE 48-51</u>

CATALOGUE INDEX



<i>EF X SERIES -GENERAL</i>	<i><u>PAGE 52</u></i>
<i>EF X SERIES USAGE AREAS</i>	<i><u>PAGE 52</u></i>
<i>EF X SERIES TECHNICAL SPECIFICATIONS</i>	<i><u>PAGE 52</u></i>
<i>EF X SERIES CABINET STRUCTURE</i>	<i><u>PAGE 53</u></i>
<i>EF X SERIES CERTIFICATIONS</i>	<i><u>PAGE 53</u></i>
<i>EF X SERIES MEASUREMENTS</i>	<i><u>PAGE 54</u></i>
<i>EF X SERIES MODULE SETS</i>	<i><u>PAGE 55</u></i>
<i>EF X SERIES VERTICAL PROFILE SET</i>	<i><u>PAGE 55</u></i>
<i>EF X SERIES FIXED COVERS</i>	<i><u>PAGE 56</u></i>
<i>EF X SERIES FRONT DOORS</i>	<i><u>PAGE 56</u></i>
<i>EF X SERIES GENERAL</i>	<i><u>PAGE 57</u></i>
<i>EF X SERIES CABINET</i>	<i><u>PAGE 57</u></i>
<i>EF X SERIES MOUNTING PLATE SETS</i>	<i><u>PAGE 58</u></i>
<i>EF H SERIES - GENERAL</i>	<i><u>PAGE 59</u></i>
<i>EF H SERIES USAGE AREAS</i>	<i><u>PAGE 60</u></i>
<i>EF H SERIES TECHNICAL SPECIFICATIONS</i>	<i><u>PAGE 60</u></i>
<i>EF H SERIES CERTIFICATIONS</i>	<i><u>PAGE 60</u></i>
<i>EF H SERIES CABINET STRUCTURE</i>	<i><u>PAGE 61</u></i>
<i>EF H SERIES MEASUREMENTS</i>	<i><u>PAGE 62</u></i>
<i>EF H SERIES MODULE SETS</i>	<i><u>PAGE 63-64</u></i>
<i>EF H SERIES BOTTOM COVER SET</i>	<i><u>PAGE 65</u></i>
<i>EF H SERIES VERTICAL PROFILE SET</i>	<i><u>PAGE 65</u></i>
<i>EF H SERIES MOUNTING PROFILES</i>	<i><u>PAGE 65</u></i>
<i>EF H SERIES ROOF MODULES</i>	<i><u>PAGE 66-68</u></i>
<i>EF H SERIES FIXED COVERS</i>	<i><u>PAGE 69</u></i>
<i>EF H SERIES FIXED REAR COVERS</i>	<i><u>PAGE 70</u></i>
<i>EF H SERIES FRONT DOORS</i>	<i><u>PAGE 71</u></i>
<i>EF H SERIES DOUBLE DOORS</i>	<i><u>PAGE 72</u></i>
<i>EF SERIES ACCESSORIES</i>	<i><u>PAGE 73-78</u></i>
<i>QUALITY CERTIFICATES</i>	<i><u>PAGE 79-82</u></i>
<i>CONTACT</i>	<i><u>PAGE 83</u></i>
<i>NOTIFICATIONS</i>	<i><u>PAGE 84</u></i>

HOW DO WE PRODUCE?



Production process in Eka goes according to production process flow chart stated in the ISO 9001 quality management procedures we have. This process mainly consists of the stages of

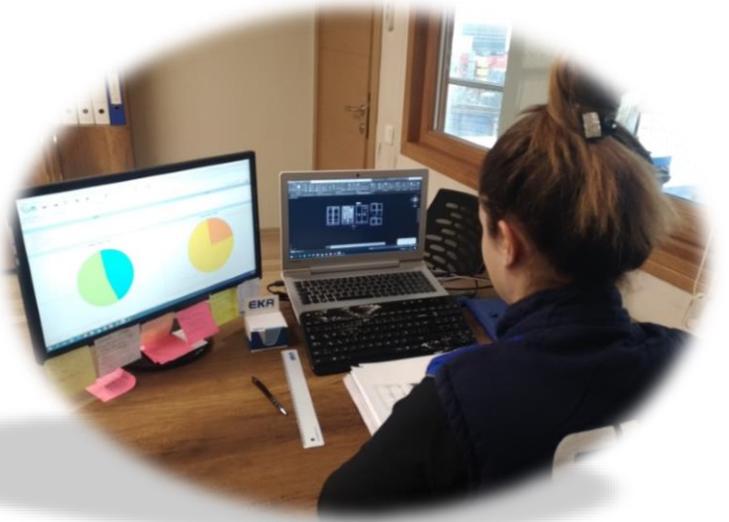
- Offer&Sale
- Planning
- Design
- R&D
- Production
- Mounting
- Quality Control
- Delivery

And the process is checked by expert Eka employees from beginning to end.

OFFER

Preparing offers in Eka is the starting point and essential part of the sale&production process. On the other hand, Eka fastens the process and prevents incorrect operations through templates and programs preventing spending too much time on the subject

Our experienced and competent sales team provides you supplying top quality products economical and fast by informing you on choosing the right product.



PLANNING

Eka electrotechnics assembles weekly and monthly meetings to determine the necessary activities to reach the short, medium and long term production objectives.

It adapts the use of technology to every stage of production process by benefiting from certain schemes and software to determine the time periods, methods and amounts of production to turn the offers into products and services in the requested quality.

SUPPLY

Eka electrotechnics always works with firms whose quality are certified by accredited institutions in providing all kinds of raw materials, consumables and service supplying to conduct its operating activities.

All provided products enter the stocks of production unit after being subjected to quality control process. It produces sheet metal based components within the body of Eka.



DESIGN



Eka electrotechnics designs their products through special work station computers, CAD software including 3D and 2D, within their own body.

Standard and non-standard product range designs are carried out according to international technical norms.

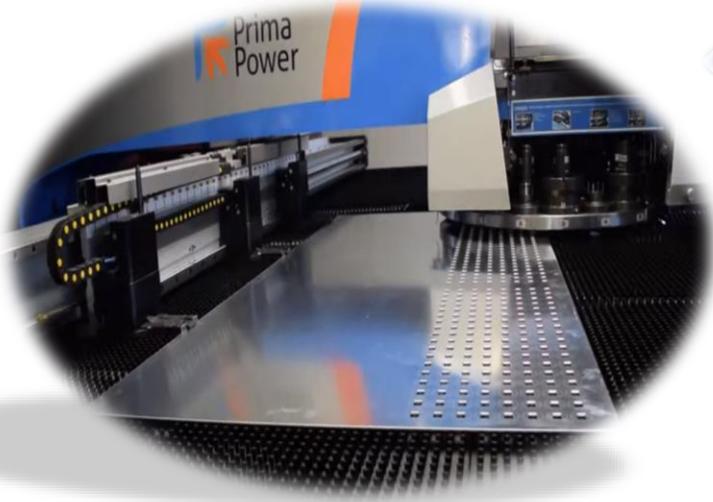
R&D

Eka electrotechnics R&D unit leads research and development activities supporting the firm objectives. They work cooperatively with design & production units in new product development processes.

They provide the certification of the products by get them tested with necessary electrical and mechanical tests by internationally accredited institutions for the conformity of the products produced within the body of the firm with

quality standards from planning to application stage.





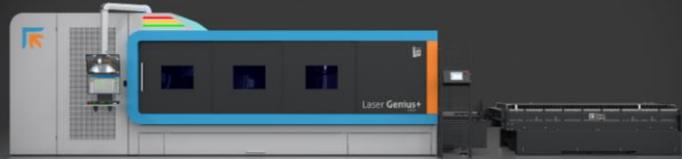
PRODUCTION- PUNCH CUT

Eka electrotechnics uses latest technology CNC Punches in machine park. Cutting, drilling and forming of sheets are performed with high sensitivity according to CAD data coming from the design unit through our company computer network. Thanks to our model diversity, there is an ease of application for panel assemblers and end users.

PRODUCTION- LASER CUT

Eka electrotechnics continues their technological development through constant investments in Machine park.

In our firm, related sheet metal cuttings can be performed in our laser cut station until 10 mm section in the most sensitive, fastest way according to the necessity of the process.



PRODUCTION- BENDING

Eka electrotechnics uses latest technology CNC bending -machines in machine park. Required technical tolerances are confirmed through computer & software support. to prevent mistakes in bending. According to 2D and 3D images controlled, bending is performed by expert machine operators.



PRODUCTION-ROLL SHEET METAL

Eka electrotechnics uses latest technology CNC sheet metal press line automation for the cutting and forming of the standard sheet products in machine park. In this way, the desired quality is reached through a fault-free, waste-free production of steel rolls and customers are provided with high quality products in a shorter time and through more economical ways.



PRODUCTION- WELDING

Eka electrotechnics uses welding technologies with digital control and adjustable sensitivity in points where the production needs welding.

After the surface cleaning, argon, migmag, electric welding, argon welding, spot welding methods can be applied based on the needs of the application. After the welding process, metal parts are transferred to the leveling unit. After the necessary surface treatment, it is prepared for the painting process.



PRODUCTION-PAINTING

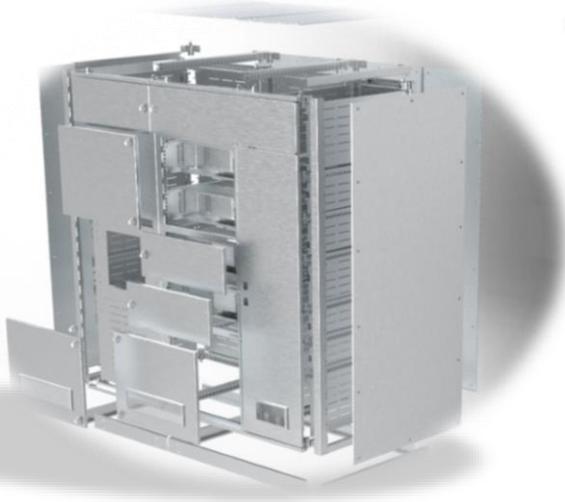
Eka electrotechnics implements the principle of maximum automation in every stage of the production in the painting stage as well. All the products to be painted are processed in the conveyor automatic powder coat line after the required phosphate and other preliminary preparation. Output products are controlled with layer thickness measurement device.



PRODUCTION - SEAL

After painting, polyurethane liquid gasket process is performed to IP protective surfaces such as panel and cabinet door&covers. Due to this process, the endurance of the products to ambient air conditions is improved.





PRODUCTION- MOUNTING

Following the gasket application, products whose discrete production processes are completed are transferred to the quality control unit with hydraulic, pneumatic, electrical equipments adjusted by the mounting team by being mounted from the point of junction with the right torque with materials according to product type such as rivet, screw, nut and self tapping screw.

QUALITY CONTROL

Products whose mounting are completed are controlled item by item based on quality control forms according to many sections such as functional features, size correctness and painting thickness. Products which have passed the control trouble-free are prepared for the delivery.



DELIVERY

Products passing the quality control applications are delivered after being packaged according to the distance they will be transferred following labeling. Customizable palletized box export and overseas shipping boxes are prepared within our company.



EF SERIES - GENERAL



EF Series;

Are standing type low voltage electrical panels in modular structure with high-strength to application conditions that offers flexible design solutions and mountability to you in your projects.

According to area of usage;

It provides cover plate, bottom plate mounting, vertical and horizontal bar mounted, DIN rail type device, screw-type device mounting and coupling application combinations with a safe, and according to quality standards.



Made in
Türkiye

EF SERIES – USAGE AREAS



- MPCC - Main distribution control center
- PCC- Power control center
- RPCC- Reactive power control center
- WRPCC - Cabinet reactive power control center
- MC- Meter and measurement applications
- MCC - Motor control center applications
- WMCC- Cabinet motor control center applications
- BMS- Building management system applications

EF SERIES – TECHNICAL SPECIFICATIONS



- Area of usage : Built-in type
- Nominal operating voltage : 400 V AC 690 V AC
- Nominal insulation voltage : 1000 V
- Nominal impact resistance voltage : 12 kV
- Main operating current : Up to 5000 Ampere
- Nominal Peak Resistance voltage : 220 kA
- Nominal frequency : 50 Hz
- Nominal degree of protection : IP 55
- Nominal mechanical impact code : IK10
- Coat : Electrostatics powder coat
- Coat color : RAL 7035 (std)
- Level of pollution : 3 (III a)
- Cooling type : Natural or optional fan

EF SERIES- CERTIFICATIONS

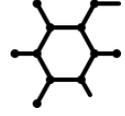


- Gost-R : Conformity for Russian market
- Domestic production certificate : ISO and TOBB attestation
- ISO 45001 :2018 : Criteria for occupation, production and safety.
- ISO 9001 : 2015 : Quality management
- ISO 14001 : 2015 : Environment management system
- IEC 61641 : Internal arc control and durability
- CE : Conformity for European market
- TS EN 61439-1 : AG.switching and control system panels
- TS EN 61439-2 : AG. switching and control system equipments
- TS EN 62208 : AG. switching and control system empty enclosure
- IEC 60068-2-3 Empty panel : Earthquake resistance measurement
- IEC 60068-2-3 Mounted panel : Earthquake resistance measurement

*Eka quality is chosen for the Istanbul Airport project,
which is the biggest airport of the world.*

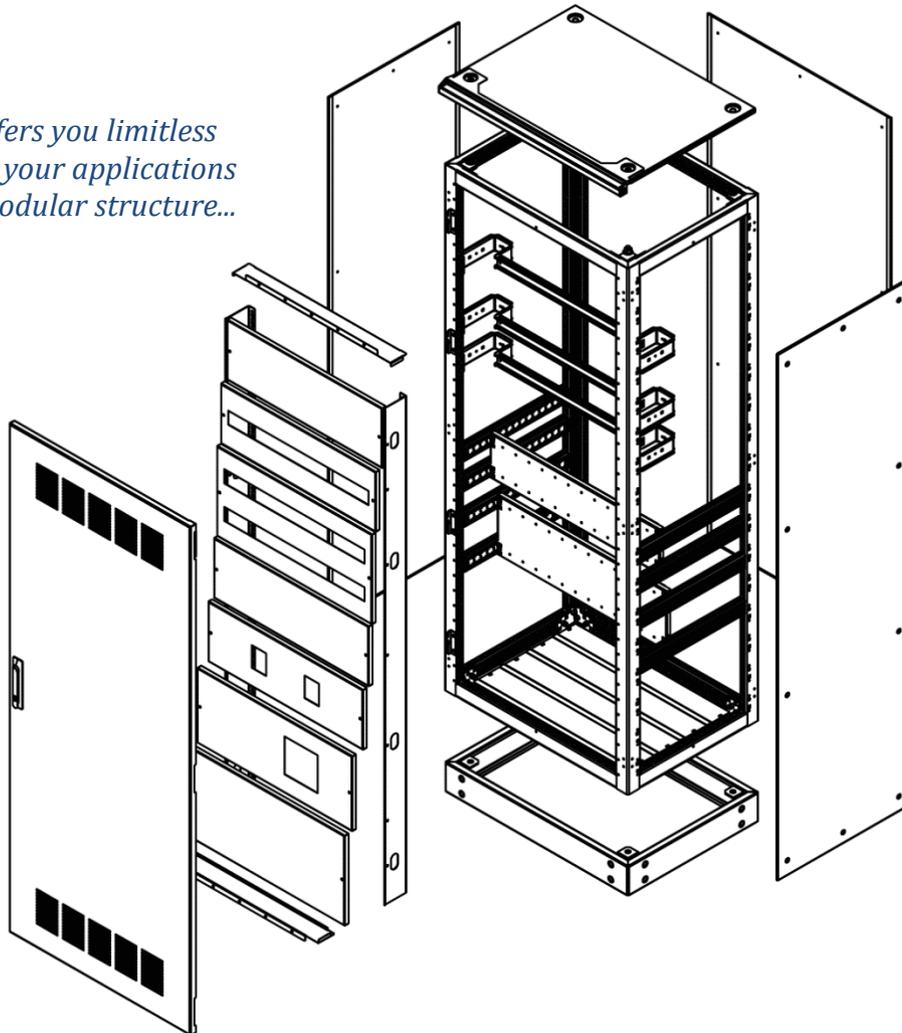


EF SERIES – CABINET STRUCTURE

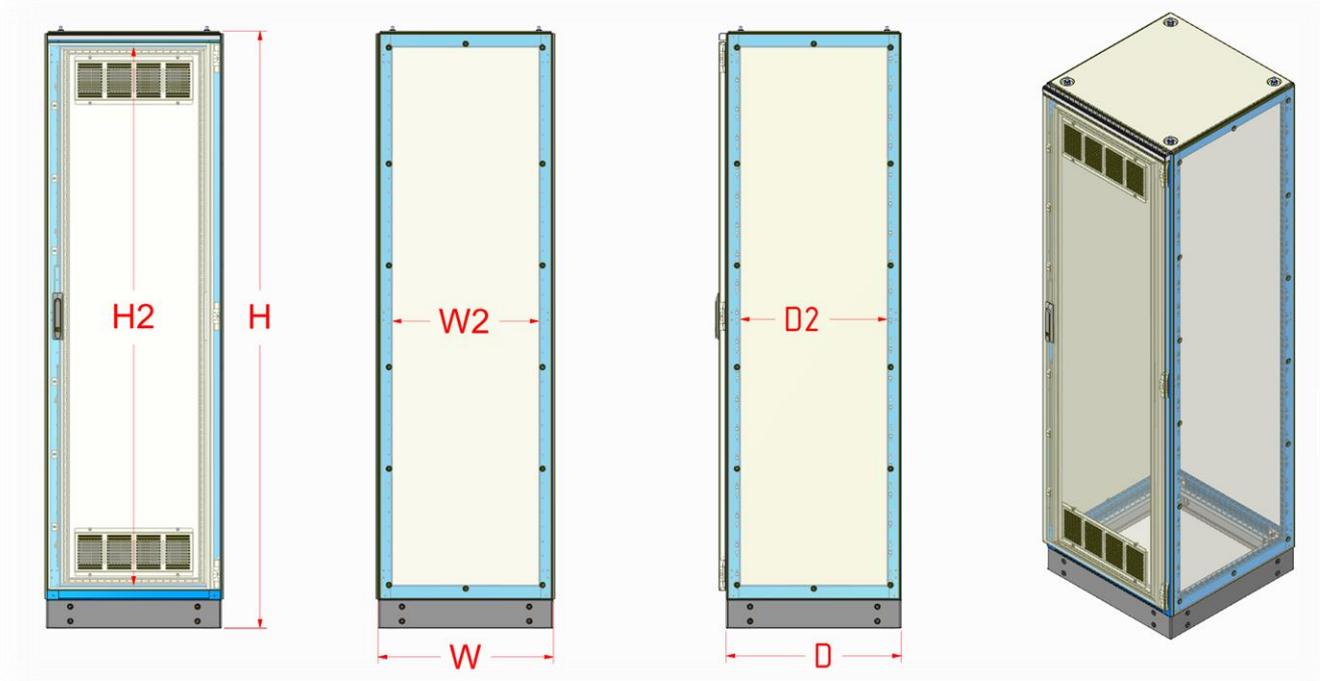


- Frame compounding : Custom form 4 mm corner member
- Frame : 2 mm section coated galvanized profile
- Interior mounting profiles : 2 mm section galvanized profile
- Front covers : 1,5 mm section DKP sheet
- Side-rear covers : 1 mm-1,2 mm section DKP sheet- liquid gasket
- Upper covers : 1 mm-1,2 mm section DKP sheet- liquid gasket
- Base conveyor : 4 mm DKP sheet (2mm+2mm foliated application)
- Base covers : 1,5 mm section DKP sheet
- Bottom cover sheet metal : 1,2 mm galvanized sheet
- Cover plate : 1,2 mm section DKP sheet metal
- Lock type : Four-point fixed /swing handle

EF series offers you limitless solutions in your applications due to its modular structure...



EF SERIES- MEASUREMENTS

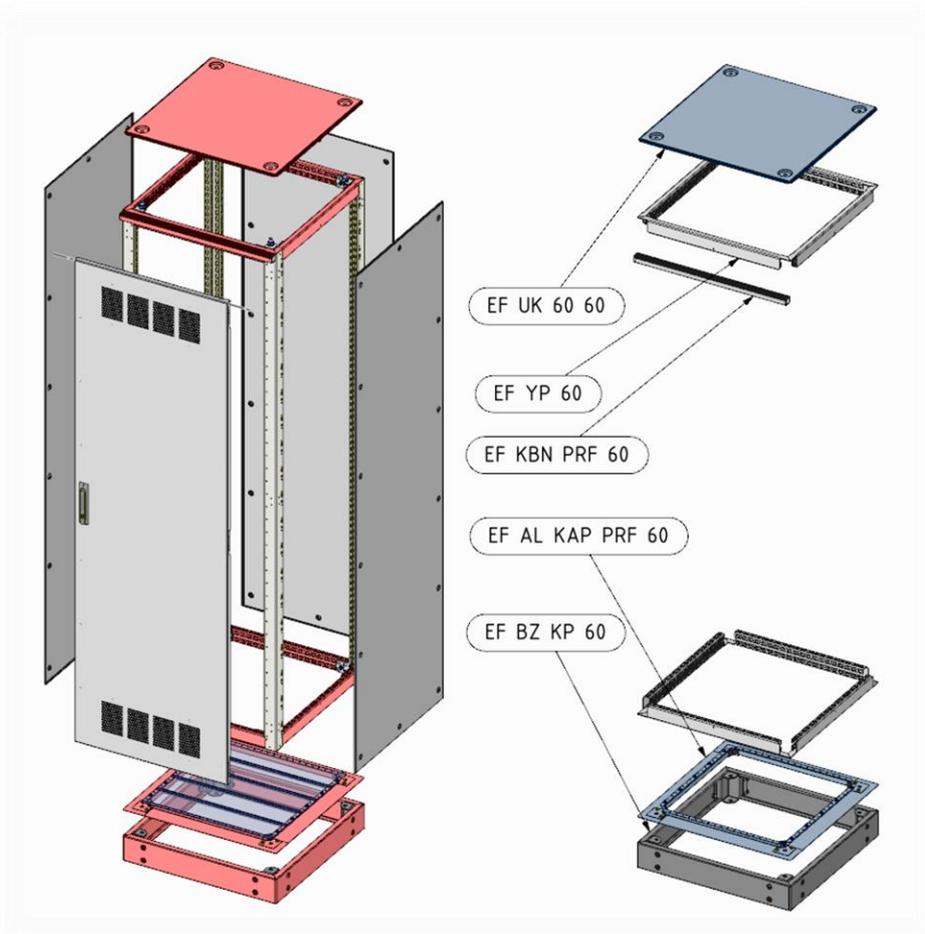


EF SERIES Measurements - mm					
H	H2	W	W2	D	D2
1450	1250	300	200	300	200
1650	1450	400	300	400	300
1850	1650	500	400	500	400
2050	1850	600	500	600	500
2250	2050	700	600	700	600
		800	700	800	700
		900	800	900	800
		1000	900	1000	900

EF SERIES MEASUREMENT- Information

- Area of usage defines the remaining area size for needs such as cover plate, switch material and busbar layout, etc. left in the inner area after the panel frame profiles.
- **H** : Height **H2**: Vertical inner area of usage **W** : Width **W2**: Horizontal inner area of usage **D** :Depth **D2** : Depth inner area of usage
- Measures of the panel in the image are indicated with red.
- In case of custom measurement request not included in this list, please consult to our firm.
- Order of measurement in the catalogue is indicated as **1**-Hight **2**-Width **3**-Depth

EF SERIES – MODULE SET



EF MODULE SET –EF MS

CABINET NOMINAL WIDTH (cm)

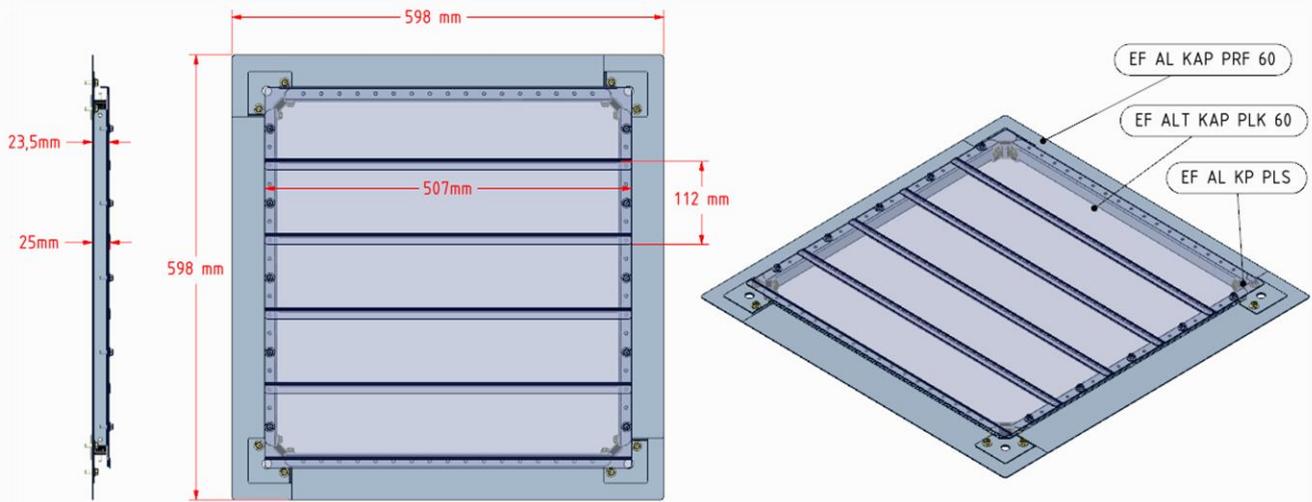
CABINET NOMINAL WIDTH (cm)	CABINET NOMINAL WIDTH (cm)									
	30	40	50	60	70	80	90	100	120	
30	EF MS 3030	EF MS 4030	EF MS 5030	EF MS 6030	EF MS 7030	EF MS 8030	EF MS 9030	EF MS 10030	EF MS 12030	
40	EF MS 3040	EF MS 4040	EF MS 5040	EF MS 6040	EF MS 7040	EF MS 8040	EF MS 9040	EF MS 10040	EF MS 12040	
50	EF MS 3050	EF MS 4050	EF MS 5050	EF MS 6050	EF MS 7050	EF MS 8050	EF MS 9050	EF MS 10050	EF MS 12050	
60	EF MS 3060	EF MS 4060	EF MS 5060	EF MS 6060	EF MS 7060	EF MS 8060	EF MS 9060	EF MS 10060	EF MS 12060	
70	EF MS 3070	EF MS 4070	EF MS 5070	EF MS 6070	EF MS 7070	EF MS 8070	EF MS 9070	EF MS 10070	EF MS 12070	
80	EF MS 3080	EF MS 4080	EF MS 5080	EF MS 6080	EF MS 7080	EF MS 8080	EF MS 9080	EF MS 10080	EF MS 12080	
90	EF MS 3090	EF MS 4090	EF MS 5090	EF MS 6090	EF MS 7090	EF MS 8090	EF MS 9090	EF MS 10090	EF MS 12090	
100	EF MS 30100	EF MS 40100	EF MS 50100	EF MS 60100	EF MS 70100	EF MS 80100	EF MS 90100	EF MS100100	EF MS 120100	
120	EF MS 30120	EF MS 40120	EF MS 50120	EF MS 60120	EF MS 70120	EF MS 80120	EF MS 90120	EF MS100120	EF MS 120120	

EF MODULE SET- INFORMATION

- In the ordering of EF series panels, the first step is the selection of module set.
- Module set consists of the pieces of standard base **EF BZ KP**, bottom cover profile **EF AL KAP PRF**, horizontal frame profiles **EF YP** and fixed upper cover **EF UK**. Bottom cover plates are sold externally.
- Module set in the sample picture is the module set with the code of EF **MS 6060**. Numbers of "6060" defines 60 cm height and 60 cm depth.
- As the height is not a parameter in these pieces, it is not specified.
- In circumstances where the two dimensional measurement information is adequate in measurements, a third element is not used in the catalogue in terms of simplicity.



EF SERIES – BOTTOM COVER SET



EF BOTTOM COVER SET- EF AL KP TK

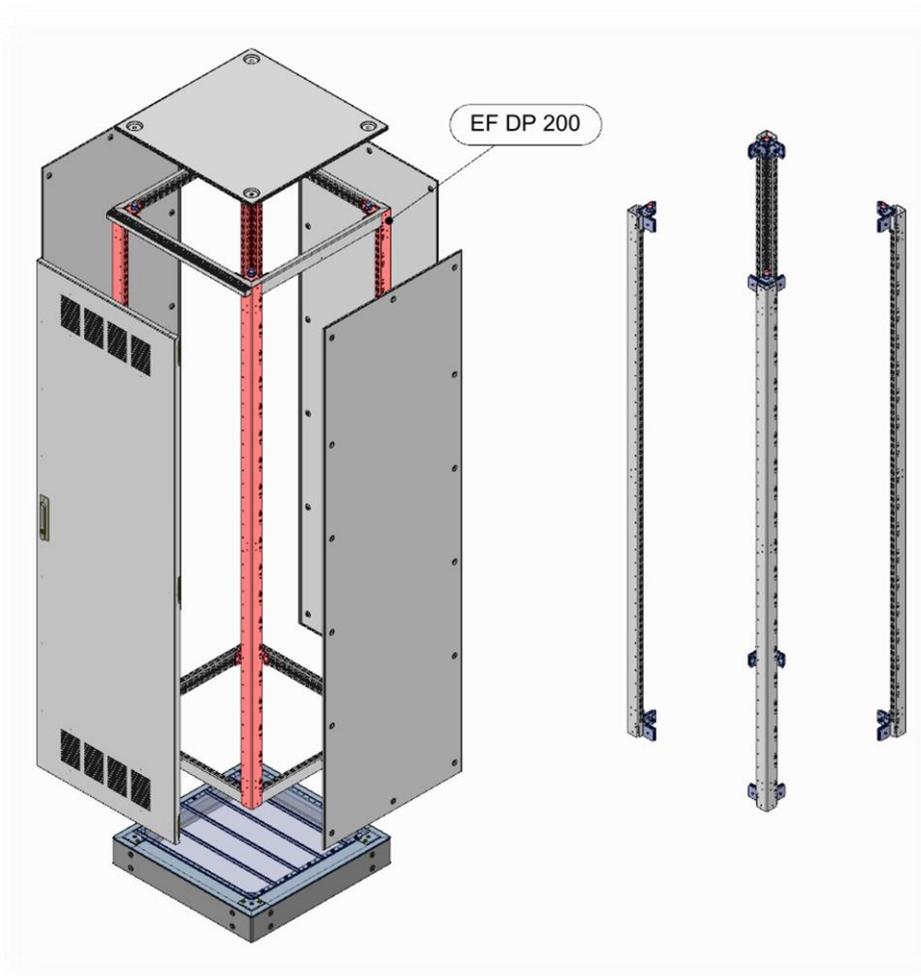
CABINET NOMINAL WIDTH (cm)

CABINET NOMINAL DEPTH (cm)	CABINET NOMINAL WIDTH (cm)									
	30	40	50	60	70	80	90	100	120	
30	EF AL KAP PLK TK 3030	EF AL KAP PLK TK 4030	EF AL KAP PLK TK 5030	EF AL KAP PLK TK 6030	EF AL KAP PLK TK 7030	EF AL KAP PLK TK 8030	EF AL KAP PLK TK 9030	EF AL PLK TK KAP10030	EF AL PLK TK KAP12030	
40	EF AL KAP PLK TK 3040	EF AL KAP PLK TK 4040	EF AL KAP PLK TK 5040	EF AL KAP PLK TK 6040	EF AL KAP PLK TK 7040	EF AL KAP PLK TK 8040	EF AL KAP PLK TK 9040	EF AL PLK TK KAP10040	EF AL PLK TK KAP12040	
50	EF AL KAP PLK TK 3050	EF AL KAP PLK TK 4050	EF AL KAP PLK TK 5050	EF AL KAP PLK TK 6050	EF AL KAP PLK TK 7050	EF AL KAP PLK TK 8050	EF AL KAP PLK TK 9050	EF AL PLK TK KAP10050	EF AL PLK TK KAP12050	
60	EF AL KAP PLK TK 3060	EF AL KAP PLK TK 4060	EF AL KAP PLK TK 5060	EF AL KAP PLK TK 6060	EF AL KAP PLK TK 7060	EF AL KAP PLK TK 8060	EF AL KAP PLK TK 9060	EF AL PLK TK KAP10060	EF AL PLK TK KAP12060	
70	EF AL KAP PLK TK 3070	EF AL KAP PLK TK 4070	EF AL KAP PLK TK 5070	EF AL KAP PLK TK 6070	EF AL KAP PLK TK 7070	EF AL KAP PLK TK 8070	EF AL KAP PLK TK 9070	EF AL PLK TK KAP10070	EF AL PLK TK KAP12070	
80	EF AL KAP PLK TK 3080	EF AL KAP PLK TK 4080	EF AL KAP PLK TK 5080	EF AL KAP PLK TK 6080	EF AL KAP PLK TK 7080	EF AL KAP PLK TK 8080	EF AL KAP PLK TK 9080	EF AL PLK TK KAP10080	EF AL PLK TK KAP12080	
90	EF AL KAP PLK TK 3090	EF AL KAP PLK TK 4090	EF AL KAP PLK TK 5090	EF AL KAP PLK TK 6090	EF AL KAP PLK TK 7090	EF AL KAP PLK TK 8090	EF AL KAP PLK TK 9090	EF AL PLK TK KAP10090	EF AL PLK TK KAP12090	
100	EF AL KAP PLK TK 30100	EF AL KAP PLK TK 40100	EF AL KAP PLK TK 50100	EF AL KAP PLK TK 60100	EF AL KAP PLK TK 70100	EF AL KAP PLK TK 80100	EF AL KAP PLK TK 90100	EF AL PLK TK KAP100100	EF AL KAP 120100	
120	EF AL KAP PLK TK 30120	EF AL KAP PLK TK 40120	EF AL KAP PLK TK 50120	EF AL KAP PLK TK 60120	EF AL KAP PLK TK 70120	EF AL KAP PLK TK 80120	EF AL KAP PLK TK 90120	EF AL PLK TK KAP100120	EF AL KAP 120120	

BOTTOM COVER SET - INFORMATION

- Bottom cover sets consists of **EF AL KAP PRF** profiles, **EF ALT KAP PLK** sheet metals and **EF AL KP PLS** corner plastics.
- Sheet covers are not for the purpose of conveying, it should not be stepped on and put heavy lifts!
- In application with high IP protective surface, liquid seal is applied between the sheet metals. Plate profiles are standard and sold externally.

EF SERIES – VERTICAL PROFILE SET

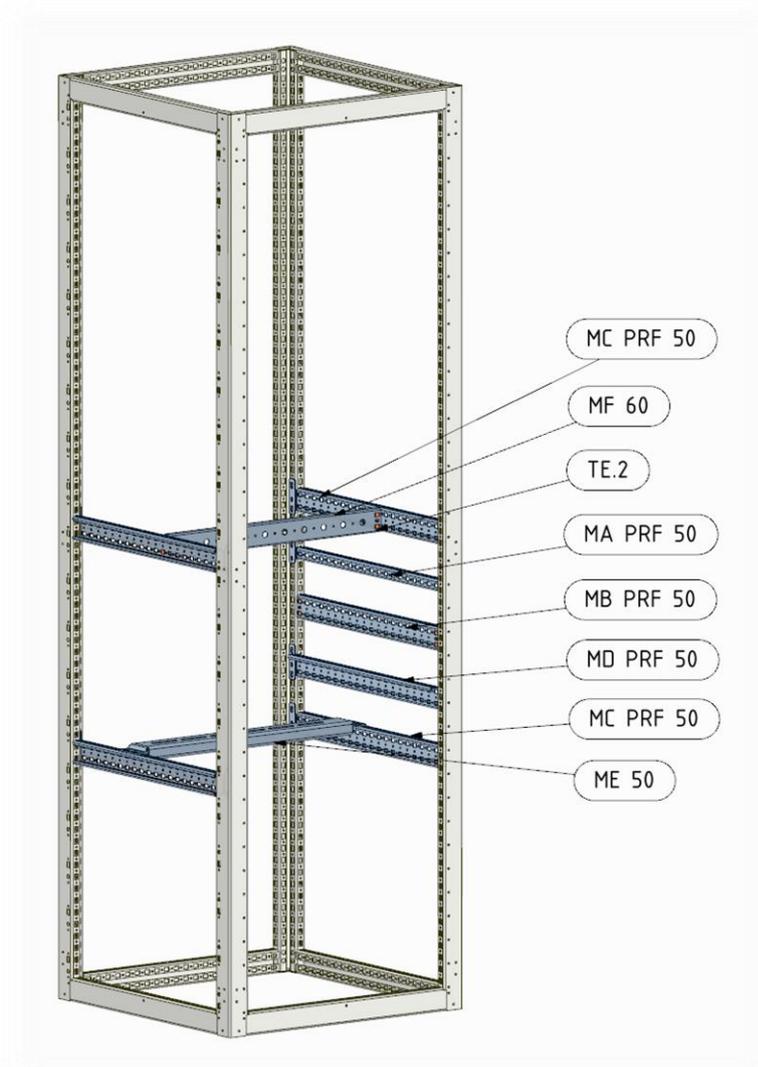


EF VERTICAL PROFILE SET –EF DP				
CABINET NOMINAL HIGHT(cm)				
140	160	180	200	220
EF DP TK 140	EF DP TK 160	EF DP TK 180	EF DP TK 200	EF DP TK 220

VERTICAL PROFILE SET - INFORMATION

- Vertical profile set consists of 4 pieces vertical profile and 8 pieces corner compounding set connecting these profiles to horizontal profiles. EF Vertical profiles are coated.

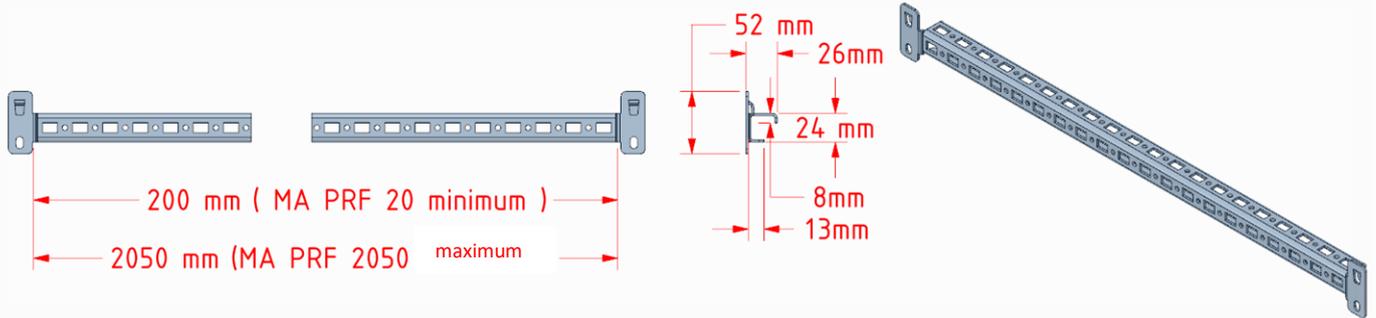
EF SERIES- MOUNTING PROFILES



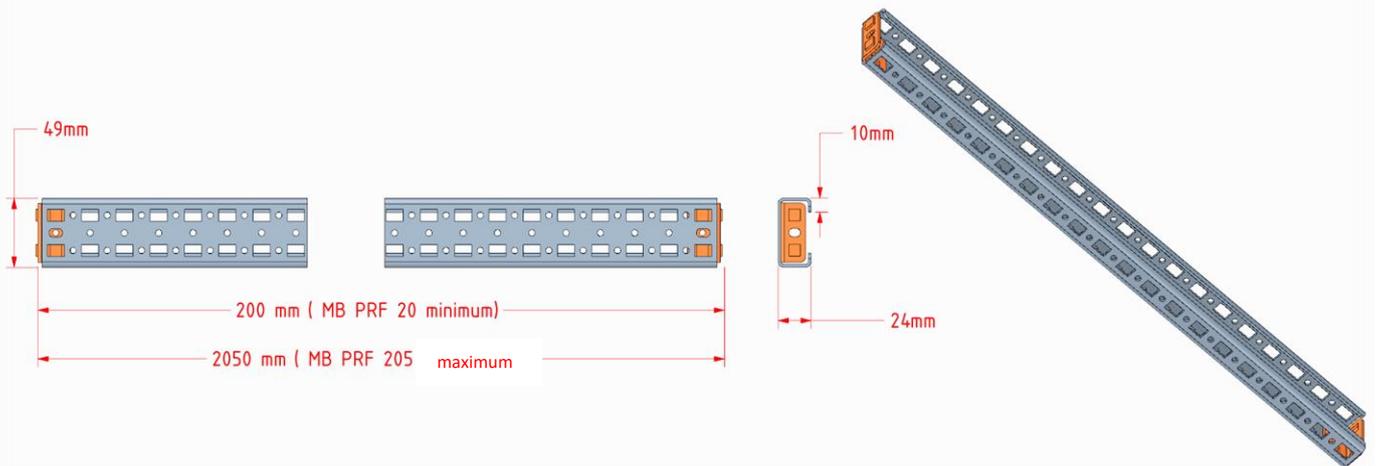
MOUNTING PROFILES- INFORMATION

- Profiles with ME code are produced from 3 mm galvanized sheet metal.
- Compensation profiles with MF code are produced from 1,5 mm galvanized sheet metal. Other profiles are 2 mm galvanized.
- Profiles with MF and MB codes are mounted with joint fixing.
- For the width and depth of the profiles in this picture, 60 cm panel is taken as basis.

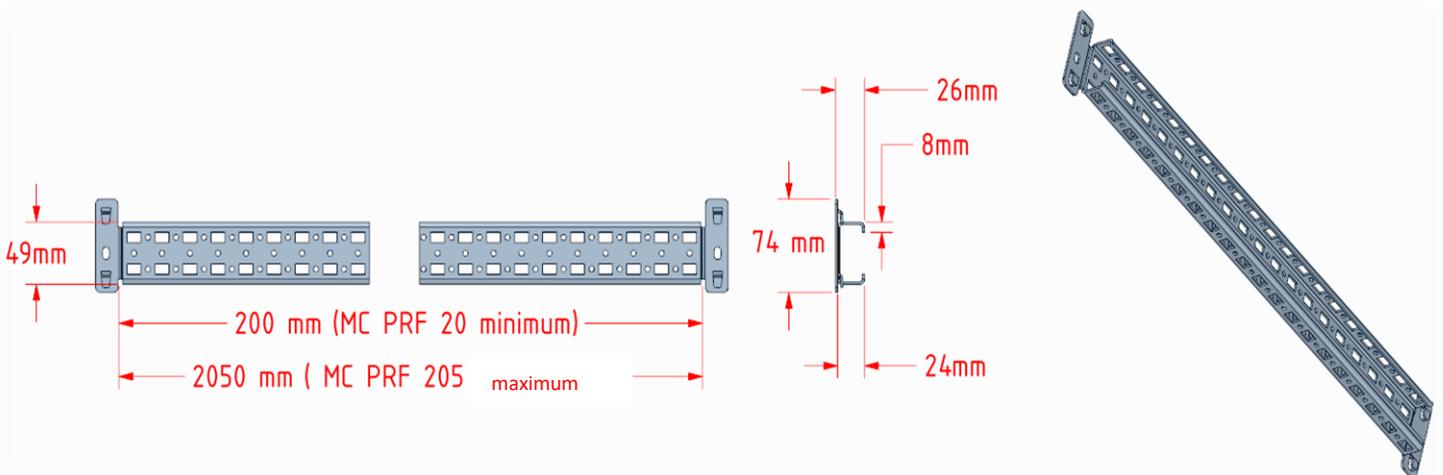
EF SERIES – MOUNTING PROFILES – MA PRF . .



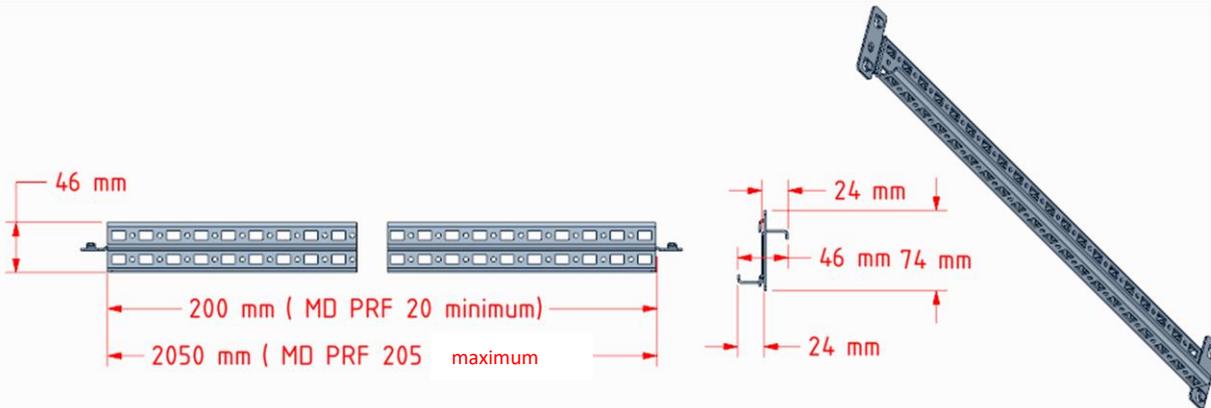
EF SERIES – MOUNTING PROFILES – MB PRF . .



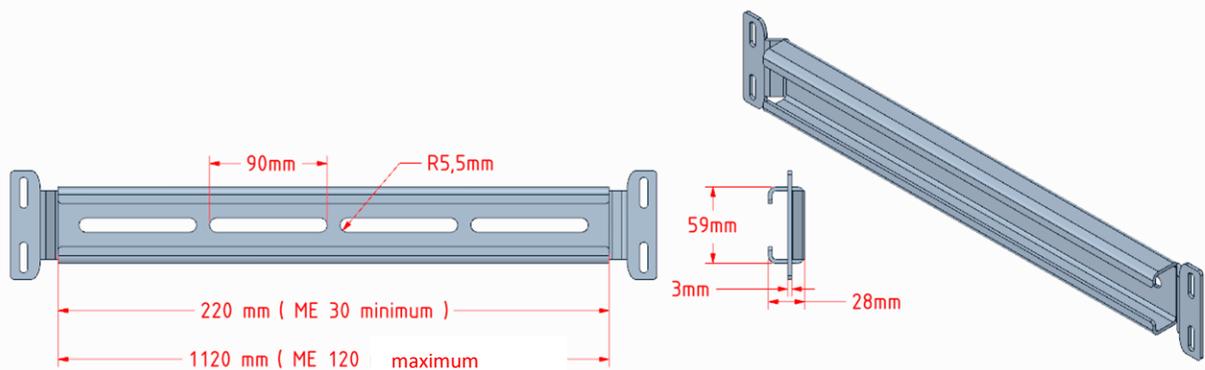
EF SERIES – MOUNTING PROFILES – MC PRF . .



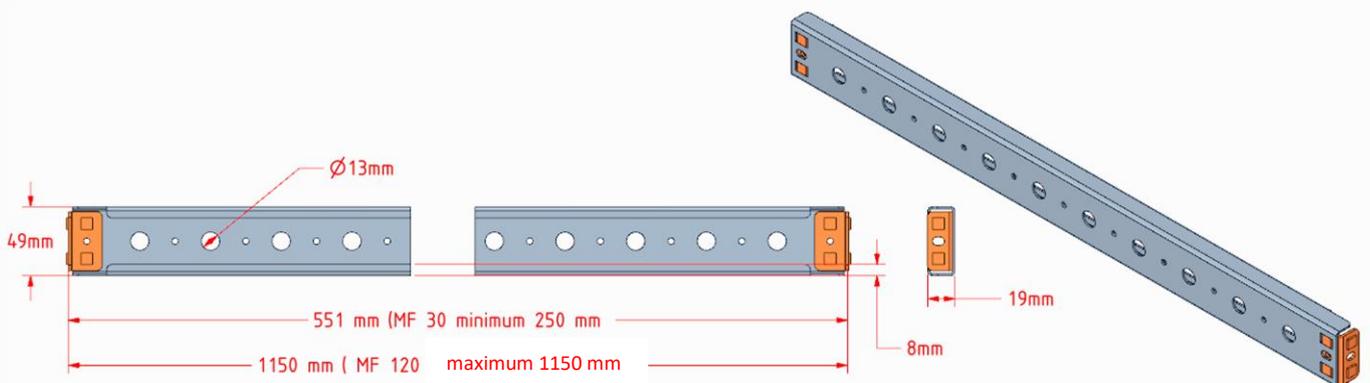
EF SERIES – MOUNTING PROFILES – MD PRF . .



EF SERIES – MOUNTING PROFILES – ME

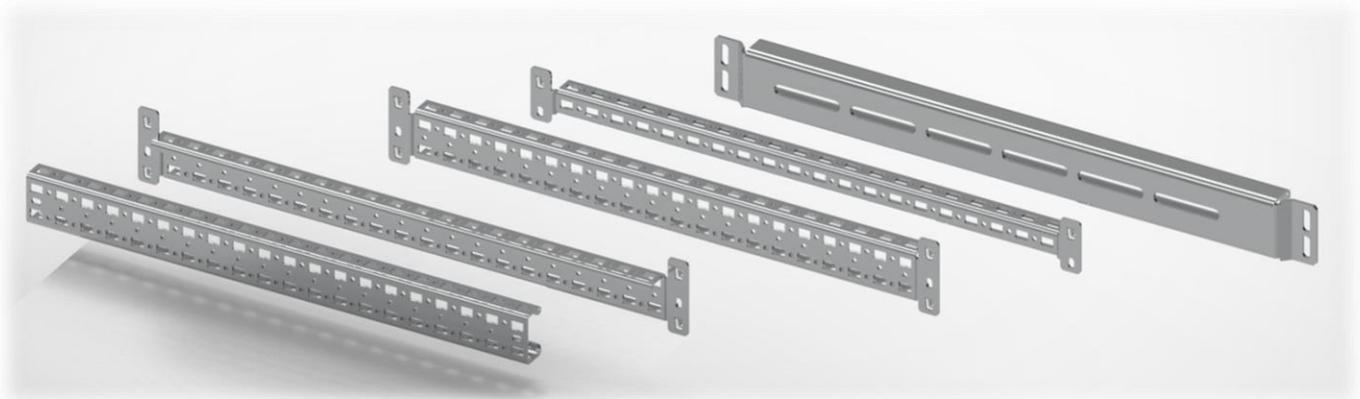


EF SERIES – MOUNTING PROFILES – MF

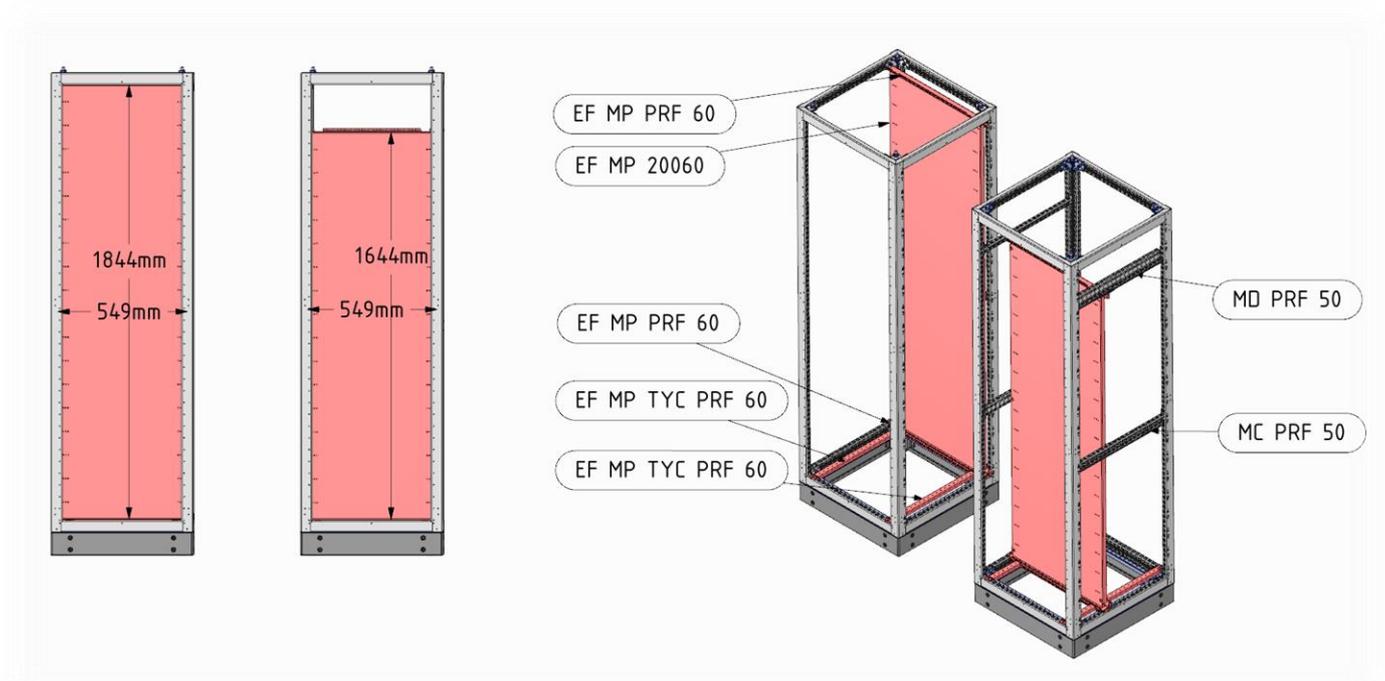


MOUNTING PROFILES – ACCORDING TO CABINET WIDTHS (CM)

MA PRF	MB PRF	MC PRF	MD PRF	ME	MF	
MA PRF 20	MB PRF 20	MC PRF 20	MD PRF 20	ME 30	MF 30	
MA PRF 25	MB PRF 25	MC PRF 25	MD PRF 25	ME 40	MF 40	
MA PRF 30	MB PRF 30	MC PRF 30	MD PRF 30	ME 50	MF 50	
MA PRF 35	MB PRF 35	MC PRF 35	MD PRF 35	ME 60	MF 60	
MA PRF 40	MB PRF 40	MC PRF 40	MD PRF 40	ME 70	MF 70	
MA PRF 45	MB PRF 45	MC PRF 45	MD PRF 45	ME 80	MF 80	
MA PRF 50	MB PRF 50	MC PRF 50	MD PRF 50	ME 90	MF 90	
MA PRF 55	MB PRF 55	MC PRF 55	MD PRF 55	ME 100	MF 100	
MA PRF 60	MB PRF 60	MC PRF 60	MD PRF 60	ME 120	MF 120	
MA PRF 65	MB PRF 65	MC PRF 65	MD PRF 65			
MA PRF 70	MB PRF 70	MC PRF 70	MD PRF 70			
MA PRF 75	MB PRF 75	MC PRF 75	MD PRF 75			
MA PRF 80	MB PRF 80	MC PRF 80	MD PRF 80			
MA PRF 85	MB PRF 85	MC PRF 85	MD PRF 85			
MA PRF 90	MB PRF 90	MC PRF 90	MD PRF 90			
MA PRF 95	MB PRF 95	MC PRF 95	MD PRF 95			
MA PRF 100	MB PRF 100	MC PRF 100	MD PRF 100			
MA PRF 105	MB PRF 105	MC PRF 105	MD PRF 105			
MA PRF 110	MB PRF 110	MC PRF 110	MD PRF 110			
MA PRF 115	MB PRF 115	MC PRF 115	MD PRF 115			
MA PRF 120	MB PRF 120	MC PRF 120	MD PRF 120			
MA PRF 125	MB PRF 125	MC PRF 125	MD PRF 125			
MA PRF 145	MB PRF 145	MC PRF 145	MD PRF 145			
MA PRF 165	MB PRF 165	MC PRF 165	MD PRF 165			
MA PRF 185	MB PRF 185	MC PRF 185	MD PRF 185			
MA PRF 205	MB PRF 205	MC PRF 205	MD PRF 205			



EF SERIES – MOUNTING PLATES – EF MP TK

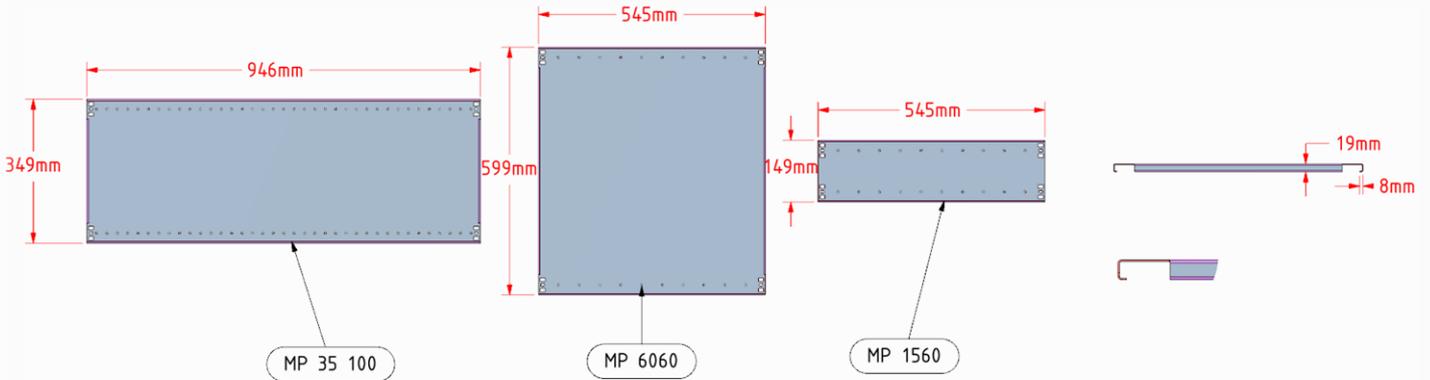
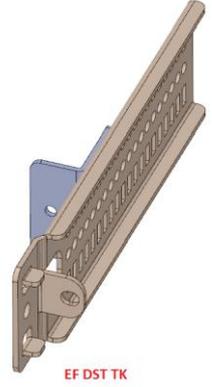
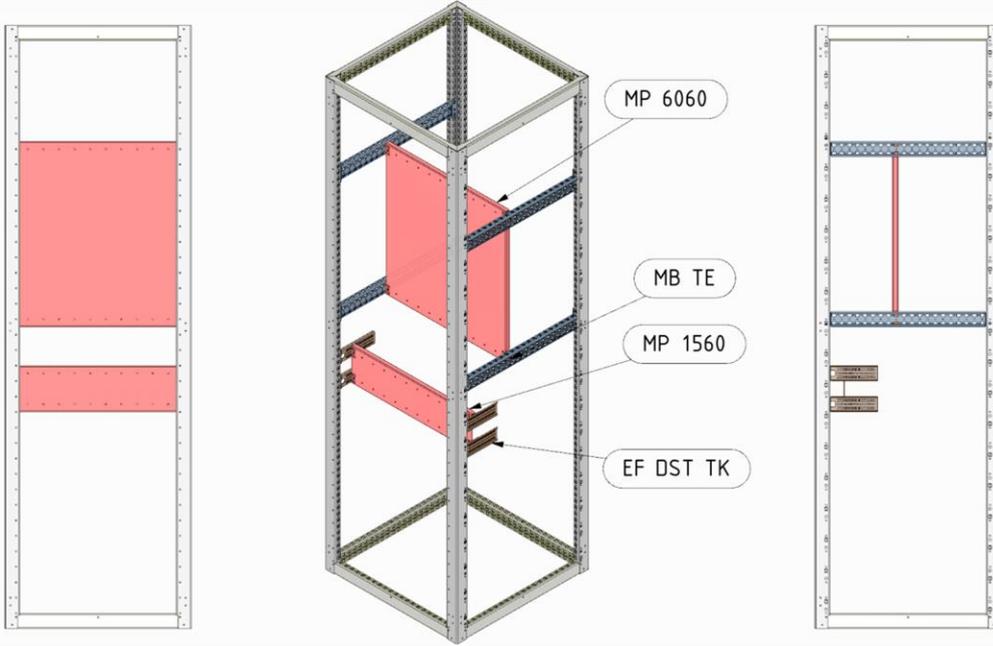


MOUNTING PLATE SET INFORMATION

- Mounting plate set consists of pieces with **EF MP** and **EF MP PRF** codes.
- If there is a need for depth adjustment, it is fixed with pieces coded as **EF MP TYC PRF**, **MC PRF** and **MD PRF**.
- Mounting plate is produced from 2 mm galvanized sheet. Bending depth is 24 mm.
- First number in the coding defines the nominal height measure meanwhile the latter defines the nominal width measure.
- **EF MP 20060** plate in the picture is the biggest measure to be used with a panel measuring Y-2050 G-600 D -600.
- Measures of mounting plate set broaden and shrink in the range of 100 mm.

EF MP TK MEASURES – CABINET NOMINAL HEIGHT CM						
		140	160	180	200	220
CABINET NOMINAL WIDTH (cm)	30	EF MP TK 14030	EF MP TK 16030	EF MP TK 18030	EF MP TK 20030	EF MP TK 22030
	40	EF MP TK 14040	EF MP TK 16040	EF MP TK 18040	EF MP TK 20040	EF MP TK 22040
	50	EF MP TK 14050	EF MP TK 16050	EF MP TK 18050	EF MP TK 20050	EF MP TK 22050
	60	EF MP TK 14060	EF MP TK 16060	EF MP TK 18060	EF MP TK 20060	EF MP TK 22060
	70	EF MP TK 14070	EF MP TK 16070	EF MP TK 18070	EF MP TK 22070	EF MP TK 22070
	80	EF MP TK 14080	EF MP TK 16080	EF MP TK 18080	EF MP TK 20080	EF MP TK 22080
	90	EF MP TK 140100	EF MP TK 160100	EF MP TK 180100	EF MP TK 200100	EF MP TK 220100
	100	EF MP TK 140120	EF MP TK 160120	EF MP TK 180120	EF MP TK 200120	EF MP TK 220120

MOUNTING PLATES – MP

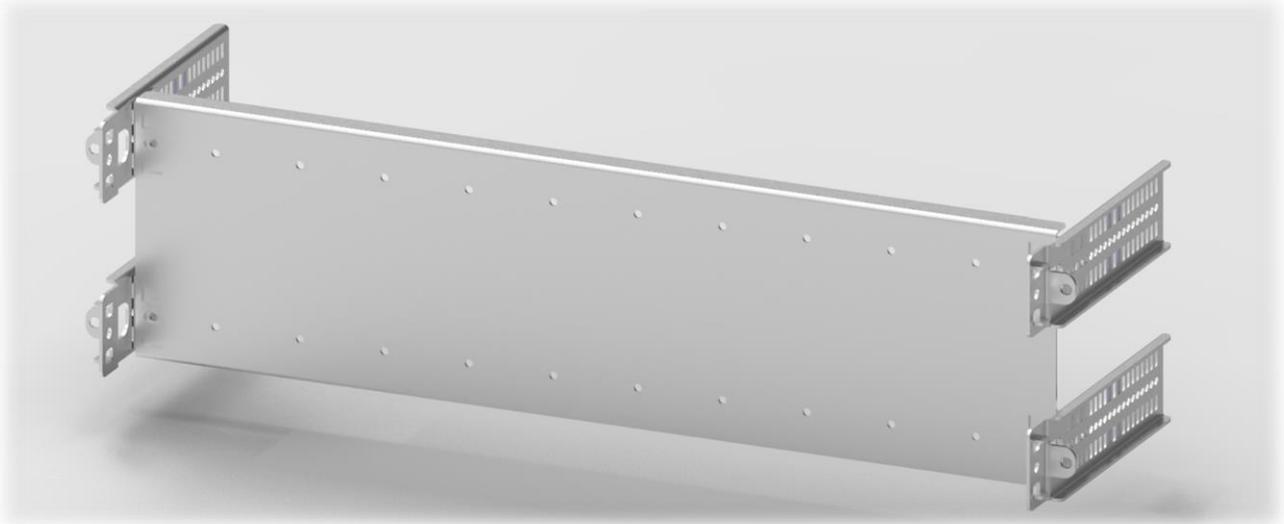


MOUNTING PLATES INFORMATION

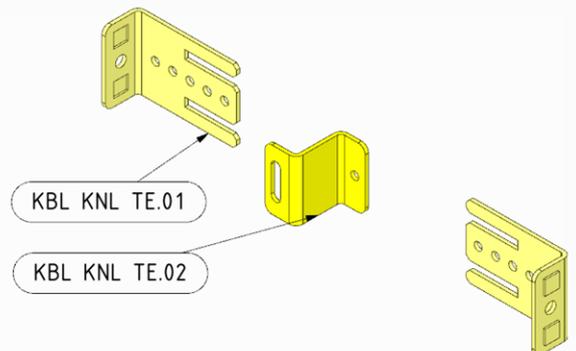
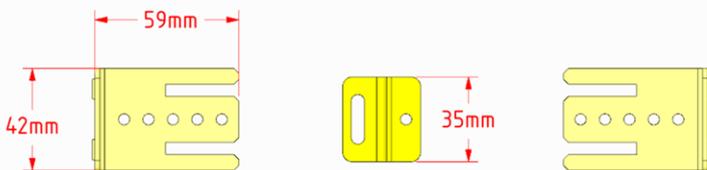
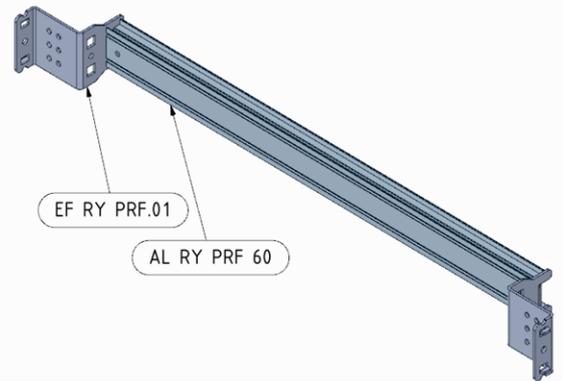
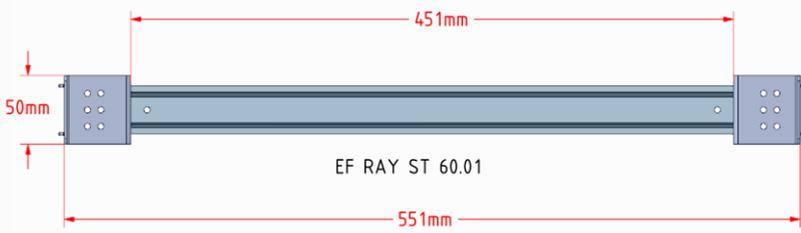
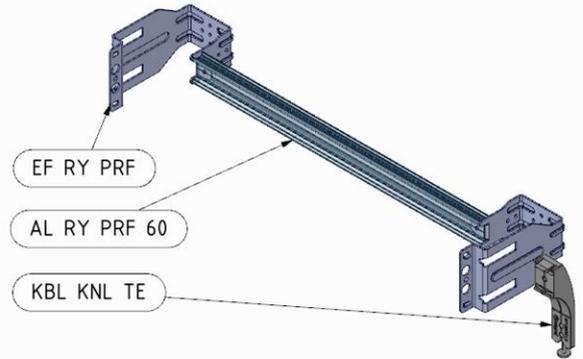
- Mounting plates coded **MP** are not used in EF series solely, unlike mounting plates coded **EF MP TK**.
- These pieces are fit for use in any type Eka branded panels in need of mounting plates. They are produced from 1,5 mm galvanic sheet metal .
- They are used with depth adjusted mounting device coded **ESDS TK** or fixation coded **MB TE**.

MOUNTING PLATE MEASURES- ACCORDING TO CABINET WIDTHS (CM)

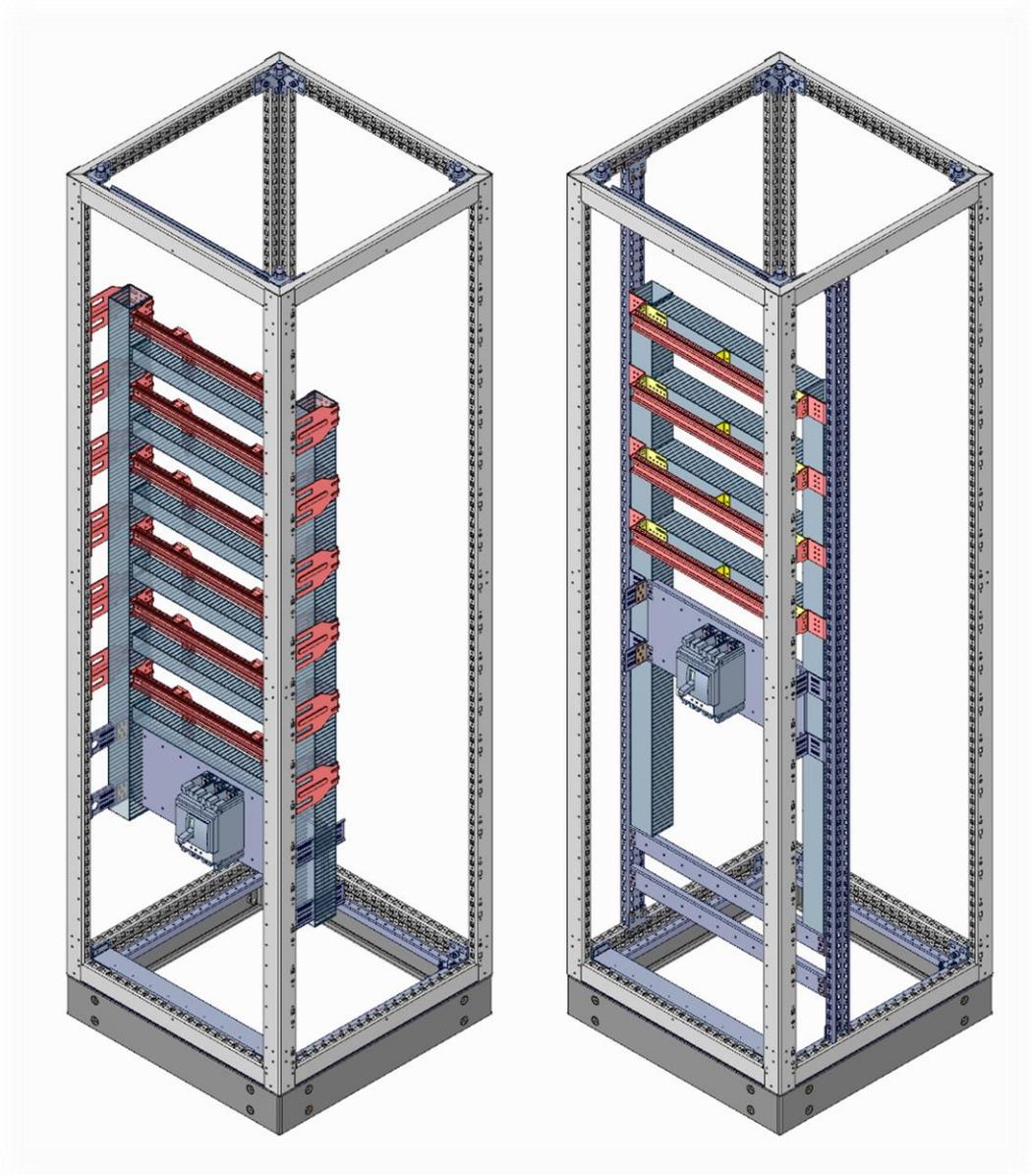
MP 0530	MP 1530	MP 2530	MP 3530	MP 4530	MP 6030	MP 8030	MP 10030
MP 0540	MP 1540	MP 2540	MP 3540	MP 4540	MP 6040	MP 8040	MP 10040
MP 0550	MP1550	MP 2550	MP 3550	MP 4550	MP 6050	MP 8050	MP 10050
MP 0560	MP 1560	MP 2560	MP 3560	MP 4560	MP 6060	MP 8060	MP 10060
MP 0570	MP 1570	MP 2570	MP 3570	MP 4570	MP 6070	MP 8070	MP 10070
MP 0580	MP 1580	MP 2580	MP 3580	MP 4580	MP 6080	MP 8080	MP 10080
MP 0590	MP 1590	MP 2590	MP 3590	MP 4590	MP 6090	MP 8090	MP 10090
MP 05100	MP 15100	MP 25100	MP 35100	MP 45100	MP 60100	MP 80100	MP 100100
MP 05120	MP 15120	MP 25120	MP 35120	MP 45120	MP 60120	MP 80120	MP 100120
MP 0530	MP 1530	MP 2530	MP 3530	MP 4530	MP 6030	MP 8030	MP 10030
MP 1030	MP 2030	MP 3030	MP 4030	MP 5030	MP 7030	MP 9030	MP 12030
MP 1040	MP 2040	MP 3040	MP 4040	MP 5040	MP 7040	MP 9040	MP 12040
MP 1050	MP 2050	MP 3050	MP 4050	MP 5050	MP 7050	MP 9050	MP 12050
MP 1060	MP 2060	MP 3060	MP 4060	MP 5060	MP 7060	MP 9060	MP 12060
MP 1070	MP 2070	MP 3070	MP 4070	MP 5070	MP 7070	MP 9070	MP 12070
MP 1080	MP 2080	MP 3080	MP 4080	MP 5080	MP 7080	MP 9080	MP 12080
MP 1090	MP 2090	MP 3090	MP 4090	MP 5090	MP 7090	MP 9090	MP 12090
MP 10100	MP 20100	MP 30100	MP 40100	MP 50100	MP 70100	MP 90100	MP 120100
MP 10120	MP 20120	MP 30120	MP 40120	MP 50120	MP 70120	MP 90120	MP 120120



DIN RAY SETS - EF RAY ST .0 .01



RAIL SETS APPLICATION EXAMPLE

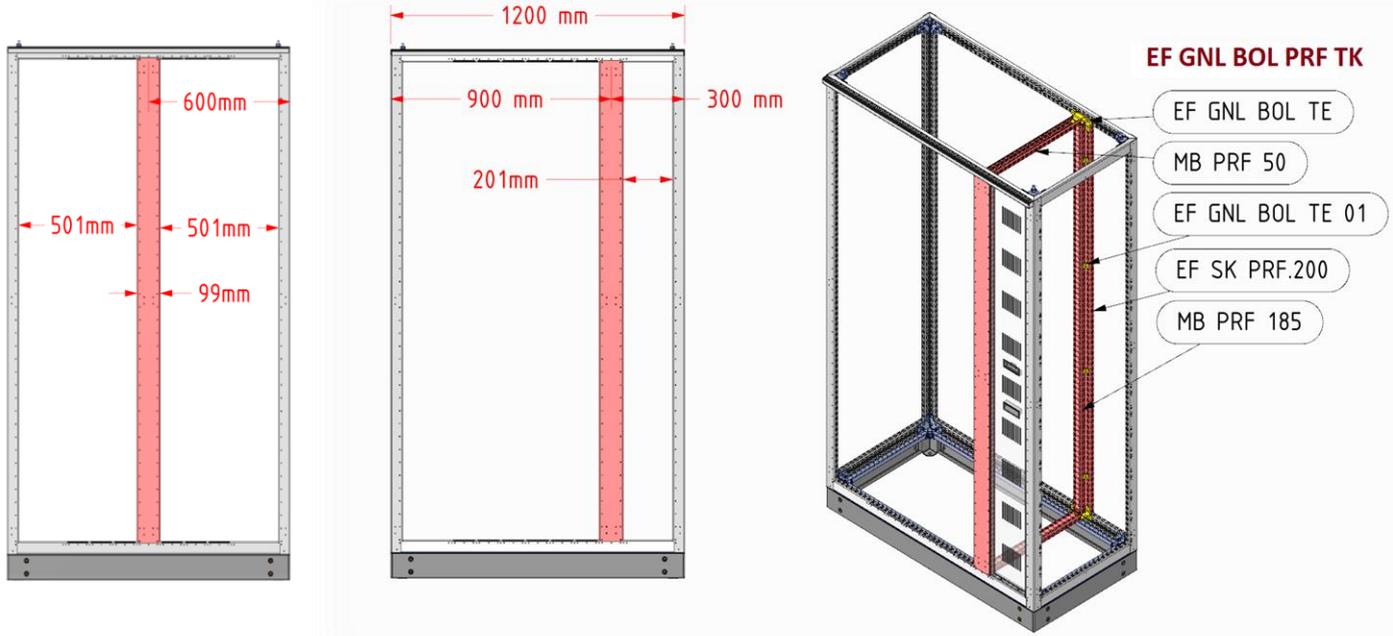


DIN RAIL SET INFORMATION

- Rail sets are 2 types. Sets consist of pieces coded **RY PRF**. Channel fixation pieces coded **KBL KNL TE** are optional. Frontal access to the cable channel is available in applications using **KBL KNL TE**.

RAIL SETS - CABINET NOMINAL WIDTH (cm)						
40	50	60	70	80	90	100
F RY ST 40	F RY ST 50	F RY ST 60	F RY ST 70	F RY ST 80	F RY ST 90	F RY ST 100
F RY ST 40.01	F RY ST 50.01	F RY ST 60.01	F RY ST 70.01	F RY ST 80.01	F RY ST 90.01	F RY ST 100.01

EF GENERAL -EF GNL BOL PRF TK

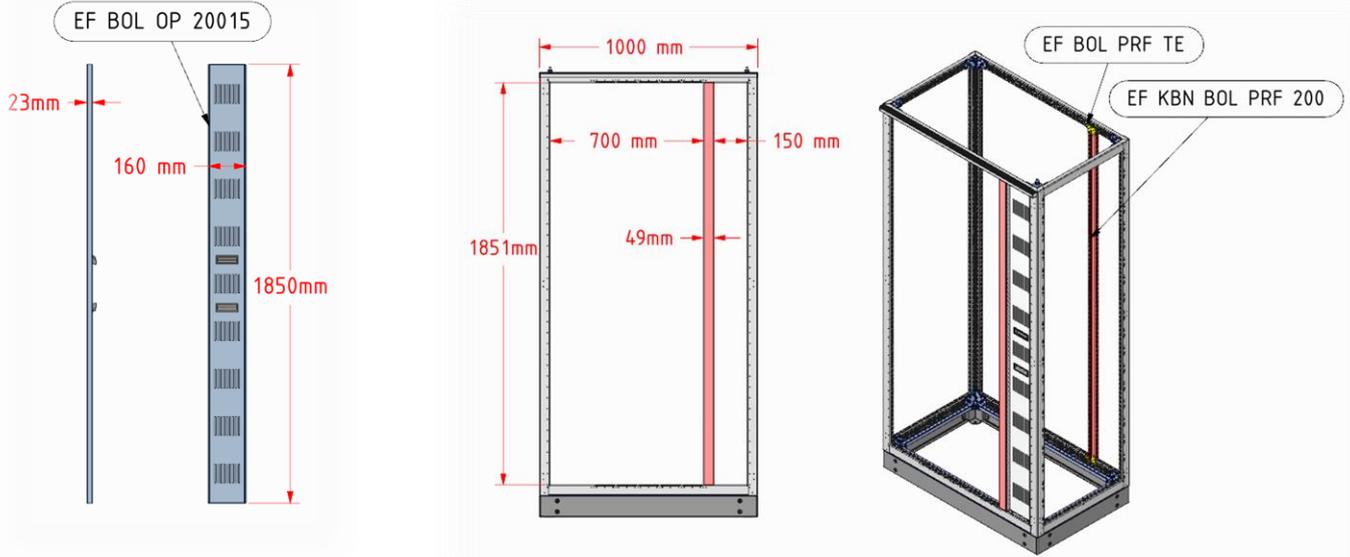


EF GENERAL INFORMATION

- General partitioning is performed with profiles and fixation inside **EF GNL BOL PRF TK**. Front cover is optional. **(BOL OP)**
- 2 different shutter application can be implemented in the cabinet during the general partitioning application.
- Minimum partitioning area width is 30 cm. Top measures vary in 10 cm ranges.
- **OP 20** and top measure cover plates can be applied.

EF GENERAL PARTITIONING SET –EF GNL BOL PRF TK CABINET NOMINAL HEIGHT (cm)				
140	160	180	200	220
EF GNL BOL PRF TK 140	EF GNL BOL PRF TK 160	EF GNL BOL PRF TK 180	EF GNL BOL PRF TK 200	EF GNL BOL PRF TK 220

EF CABINET - EF KBN BOL PRF TK



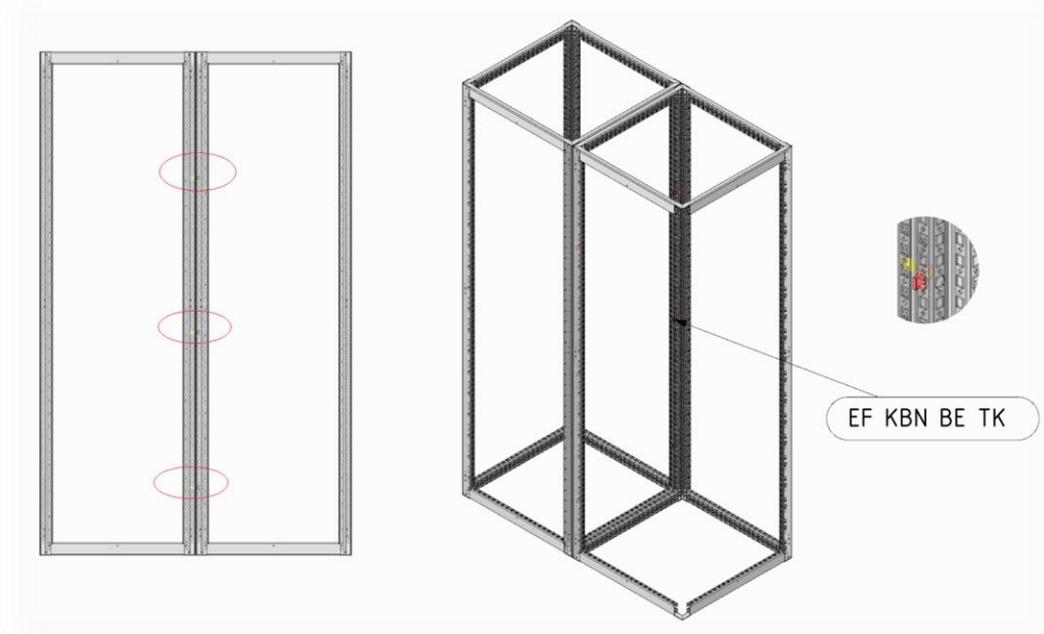
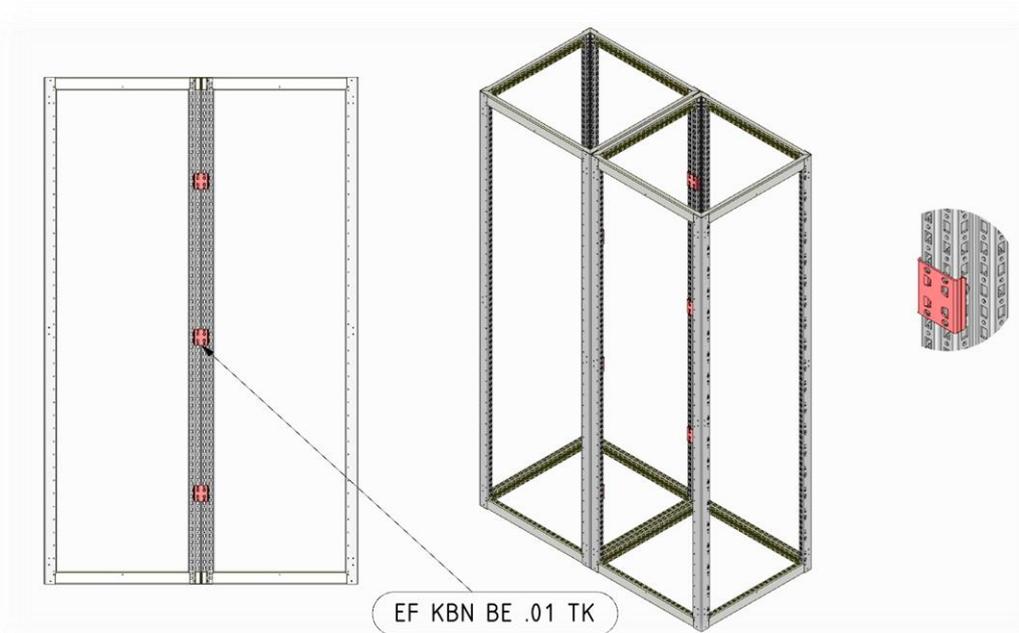
EF CABINET INFORMATION

- General is performed with profiles and fixation inside **EF KBN BOL PRF TK**. Front cover is optional.(**BOLOP**)
- 2 different shutter application cannot be implemented in the same cabinet during the cabinet partitioning application.
- Minimum partitioning area width (outside the profile) is 25 cm. Top measures vary in 5 cm ranges.
- In cabinet partitioning application, cover plate application cannot be applied.
- Partitioning cover plates are in the same structure both for the cabinet and general partitioning.

EF CABINET SET –EF KBN BOL PRF TK CABINET NOMINAL HEIGHT (cm)				
140	160	180	200	220
EF KBN BOL PRF TK 140	EF KBN BOL PRF TK 160	EF KBN BOL PRF TK 180	EF KBN BOL PRF TK 200	EF KBN BOL PRF TK 220

EF PARTITIONING COVER PLATE SET –EF BOL OP CABINET NOMINAL HEIGHT (cm)				
140	160	180	200	220
EF BOL OP 14015	EF BOL OP 16015	EF BOL OP 18015	EF BOL OP 20015	EF BOL OP 22015
EF BOL OP 14020	EF BOL OP 16020	EF BOL OP 18020	EF BOL OP 20020	EF BOL OP 22020
EF BOL OP 14025	EF BOL OP 16025	EF BOL OP 18025	EF BOL OP 20025	EF BOL OP 22025

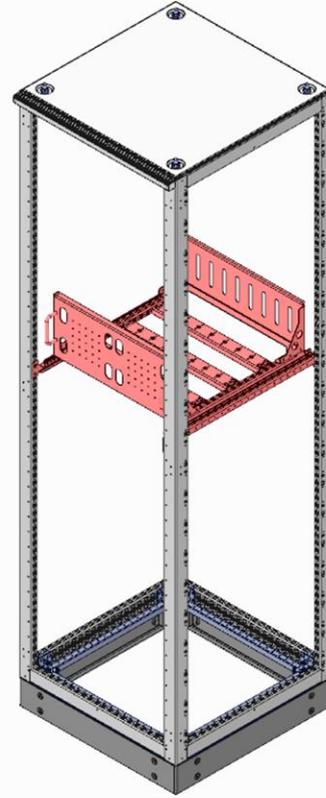
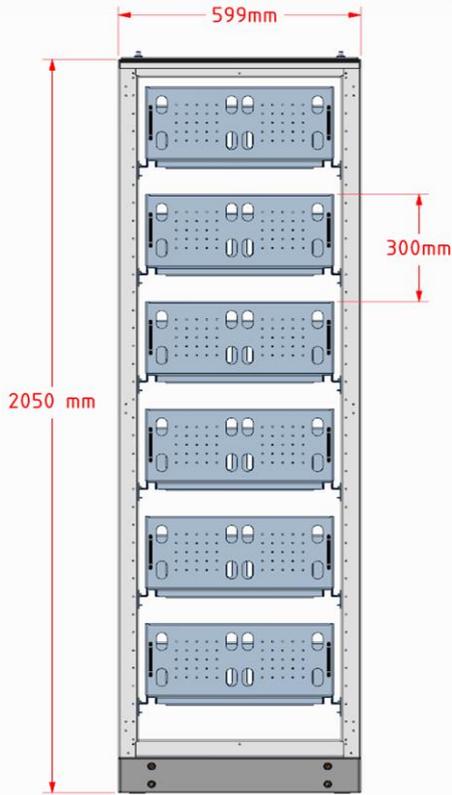
EF CABINET COMBINING



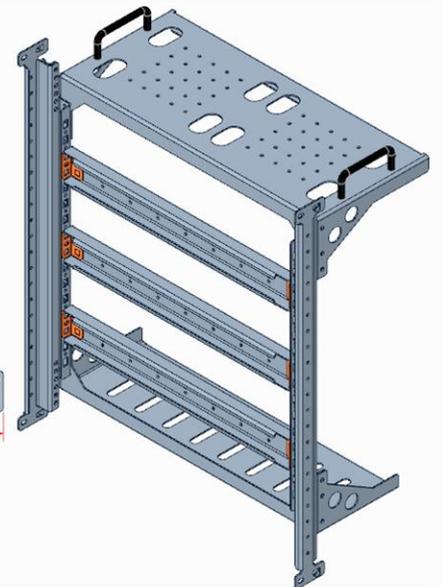
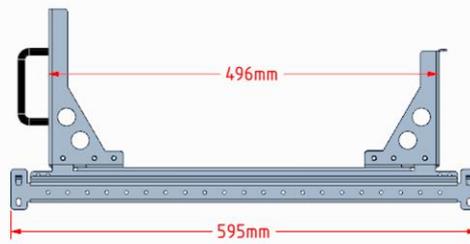
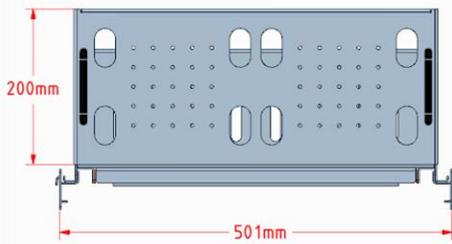
EF CABINET COMBINING INFORMATION

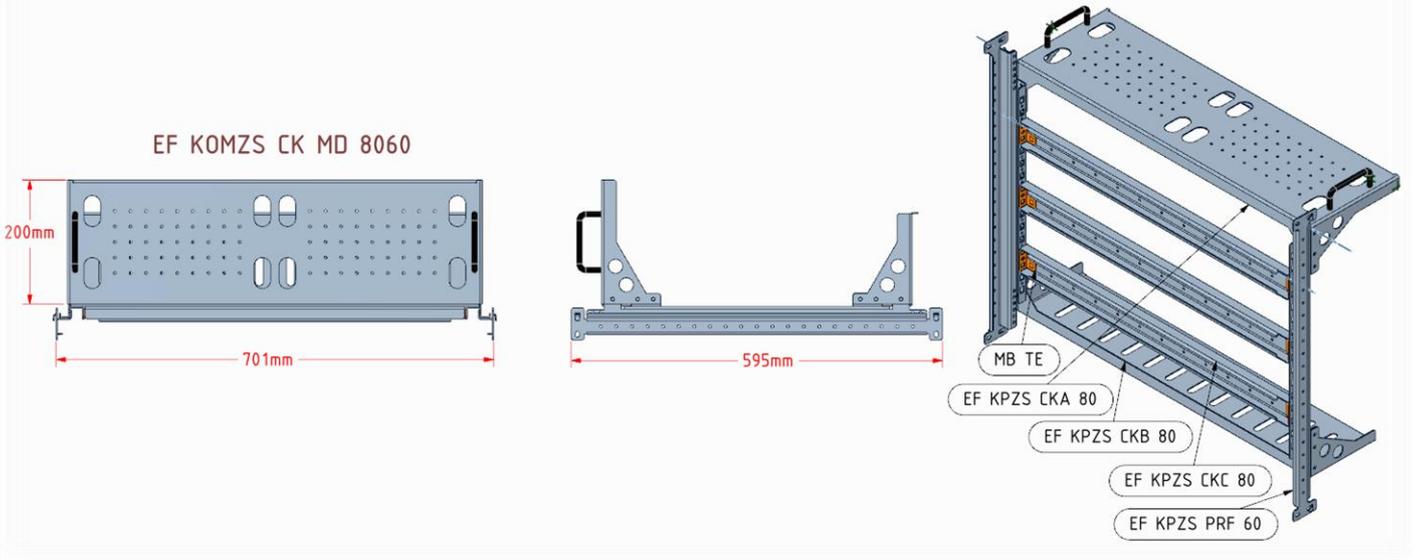
- For cabinet combining application, **EF KBN BE 01 TK** is provided beginning from the 2nd cabinet. It consists of 6 pieces sheet metal connecting pieces. Both vertical and horizontal profiles are assembled.
- In formed panel applications, more minimal **EF KBN BE TK** is used as the assembly fields are closed.

EF COMPENSATION MODULES-EF KOMZS CK MD



EF KOMZS CK MD 6060





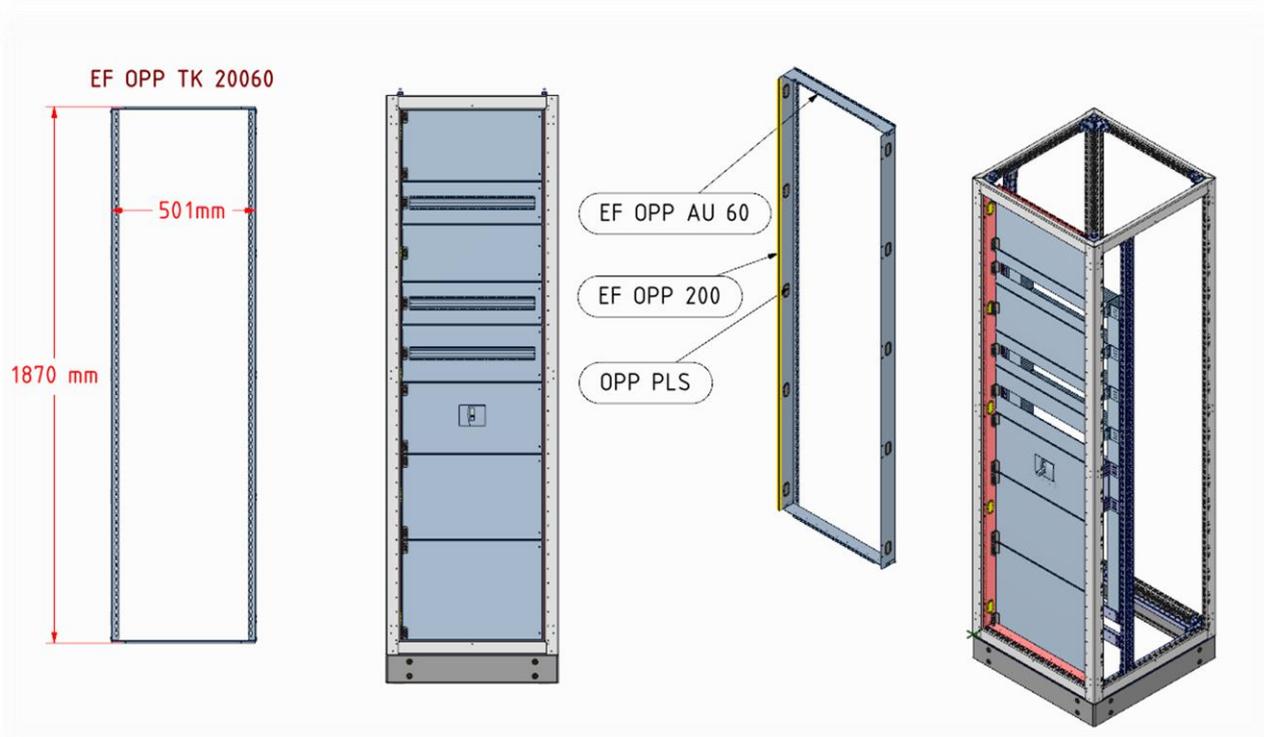
COMPENSATION MODULES INFORMATION

- Drawer type compensation application **EF KOMZS CK MD 8060** and **EF KOMZS CK MD 6060** is provided with 2 type/measure modules. Different measures are not used in standard product range.
- **EF KPZS CK TK 8060** module is for panels measuring 80 cm.
- 6 pieces module fits into nominal measure **Y 200 cm x G 60cm x D 60cm** panel given in the sample.
- **KPZS PRF** coded piece in the module includes three sizes standardly. Compensation module can be applied in panels with different depths following the replacement of this piece in this module. For example selecting **EF KPZS PRF TK 70** (compensation module conveyor profile for 2 pcs 70 cm depth) instead of **KPZS PRF 80** inside the module **EF KOMZS CK MD 8060** in a panel with 80 cm depth alongside joint mounting profile may leave 10 cm (for purposes such as bar, etc.) area of usage in the background or compensation application can be performed in a panel with 70 cm depth.

EF COMPENSATION MODULES– CABINET NOMINAL WIDTH (cm)	
60	80
EF KOMZS CK MD 6060	EF KOMZS CK MD 8060

EF COMPENSATION PROFILE SETS– CABINET NOMINAL DEPTH (cm)		
60	70	80
EF KPZS PRF TK 60	EF KPZS PRF TK 70	EF KPZS PRF TK 80

EF COVER PLATE PROFILE SET - OPP TK

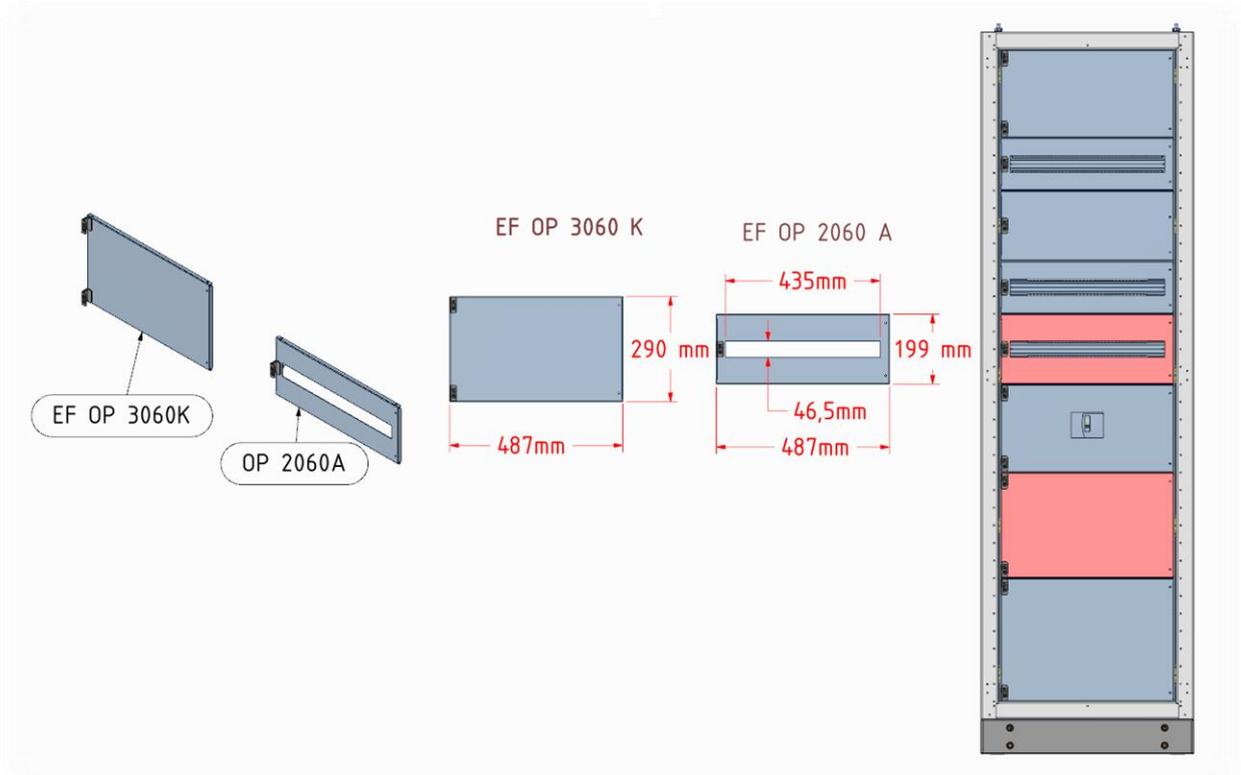


COVER PLATE SET- INFORMATION

➤ Cover plate set consists of **OPP** and **OPP AU** profiles whose heights vary according to cabinet widths. **OPP PLS** plastic covers closing the cable entries are included in the set.

COVER PLATE PROFILE SET – OPP TK						
CABINET NOMINAL HEIGHT (cm)						
		140	160	180	200	220
CABINET NOMINAL WIDTH(cm)	40	EF OPP TK 14040	EF OPP TK 16040	EF OPP TK 18040	EF OPP TK 20040	EF OPP TK 22040
	50	EF OPP TK 14050	EF OPP TK 16050	EF OPP TK 18050	EF OPP TK 20050	EF OPP TK 22050
	60	EF OPP TK 14060	EF OPP TK 16060	EF OPP TK 18060	EF OPP TK 20060	EF OPP TK 22060
	70	EF OPP TK 14070	EF OPP TK 16070	EF OPP TK 18070	EF OPP TK 20070	EF OPP TK 22070
	80	EF OPP TK 14080	EF OPP TK 16080	EF OPP TK 18080	EF OPP TK 20080	EF OPP TK 22080
	90	EF OPP TK 14090	EF OPP TK 16090	EF OPP TK 18090	EF OPP TK 20090	EF OPP TK 22090
	100	EF OPP TK 140100	EF OPP TK 160100	EF OPP TK 180100	EF OPP TK 200100	EF OPP TK 220100

COVER PLATE - OP

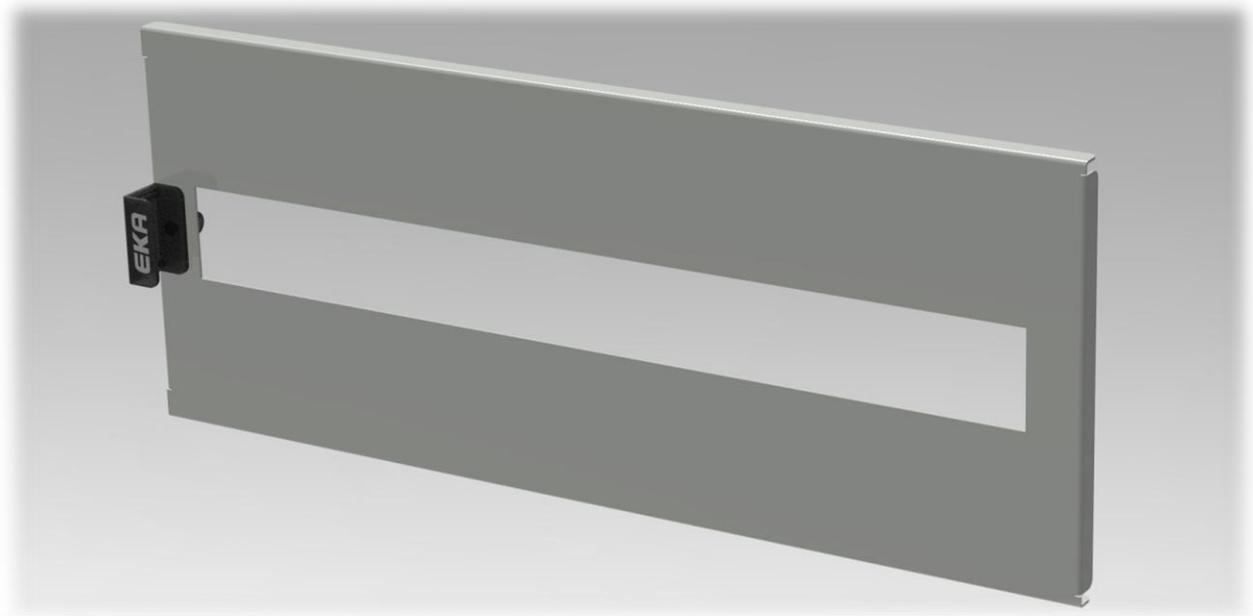


COVER PLATE INFORMATION

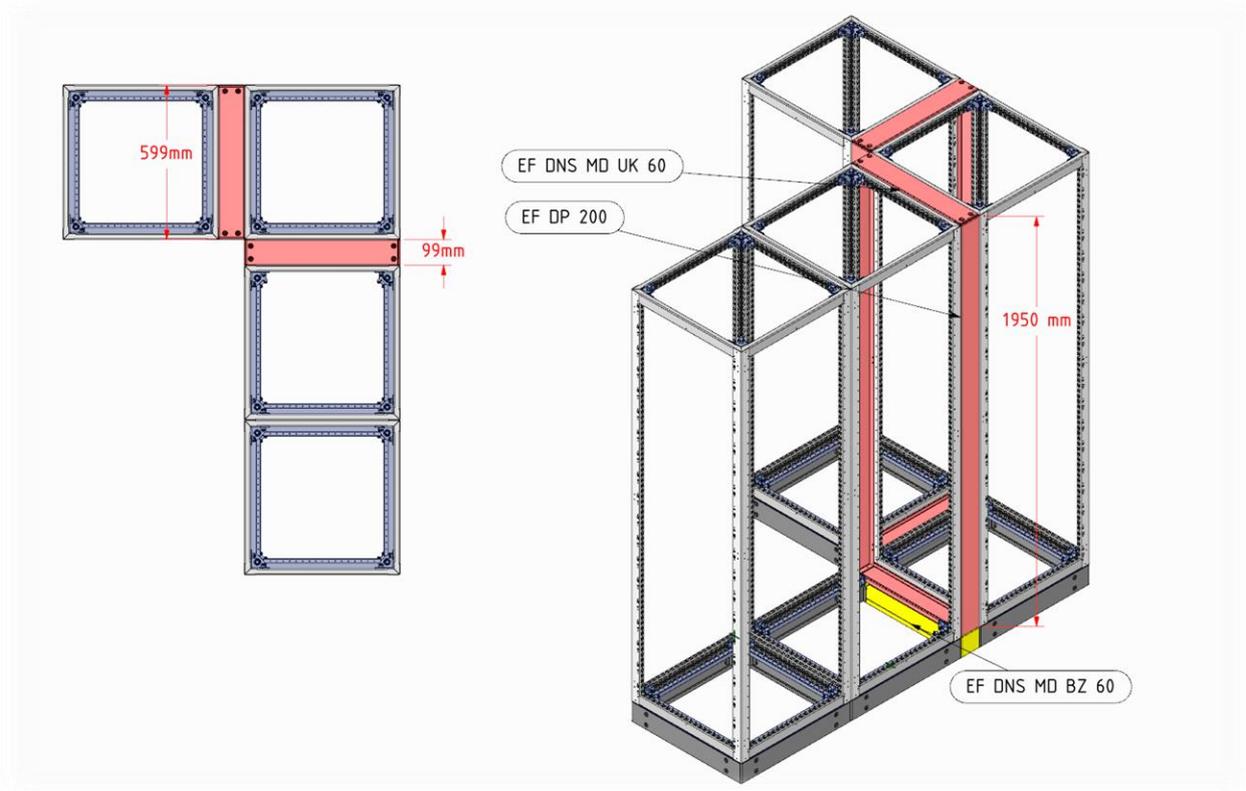
- Letter A in cover plate codes represent open area plates and letter K represents closed cover plates. Cutting measures required for open type cover plates should be notified during ordering.



COVER PLATE MEASURES – ACCORDING TO CABINET WIDTHS (CM)						
40	50	60	70	80	90	100
OP 0540K	OP 0550K	OP 0560K	OP 0570K	OP 0580K	OP 0590K	OP 05100K
OP 1040K	OP 1050K	OP 1060K	OP 1070K	OP 1080K	OP 1090K	OP 10100K
OP 1540K	OP 1550K	OP 1560K	OP 1570K	OP 1580K	OP 1590K	OP 15100K
OP 2040K	OP 2050K	OP 2060K	OP 2070K	OP 2080K	OP 2090K	OP 20100K
OP 2540K	OP 2550K	OP 2560K	OP 2570K	OP 2580K	OP 2590K	OP 25100K
OP 3040K	OP 3050K	OP 3060K	OP 3070K	OP 3080K	OP 3090K	OP 30100K
OP 3540K	OP 3550K	OP 3560K	OP 3570K	OP 3580K	OP 3590K	OP 35100K
OP 4040K	OP 4050K	OP 4060K	OP 4070K	OP 4080K	OP 4090K	OP 40100K
OP 4540K	OP 4550K	OP 4560K	OP 4570K	OP 4580K	OP 4590K	OP 45100K
OP 5040K	OP 5050K	OP 5060K	OP 5070K	OP 5080K	OP 5090K	OP 50100K
OP 6040K	OP 6050K	OP 6060K	OP 6070K	OP 6080K	OP 6090K	OP 60100K
OP 7040K	OP 7050K	OP 7060K	OP 7070K	OP 7080K	OP 7090K	OP 70100K
OP 8040K	OP 8050K	OP 8060K	OP 8070K	OP 8080K	OP 8090K	OP 80100K
OP 9040K	OP 9050K	OP 9060K	OP 9070K	OP 9080K	OP 9090K	OP 90100K
OP 10040K	OP 10050K	OP 10060K	OP 10070K	OP 10080K	OP 10090K	OP 100100K
OP 11040K	OP 11050K	OP 11060K	OP 11070K	OP 11080K	OP 11090K	OP 110100K
OP 12040K	OP 12050K	OP 12060K	OP 12070K	OP 12080K	OP 12090K	OP 120100K



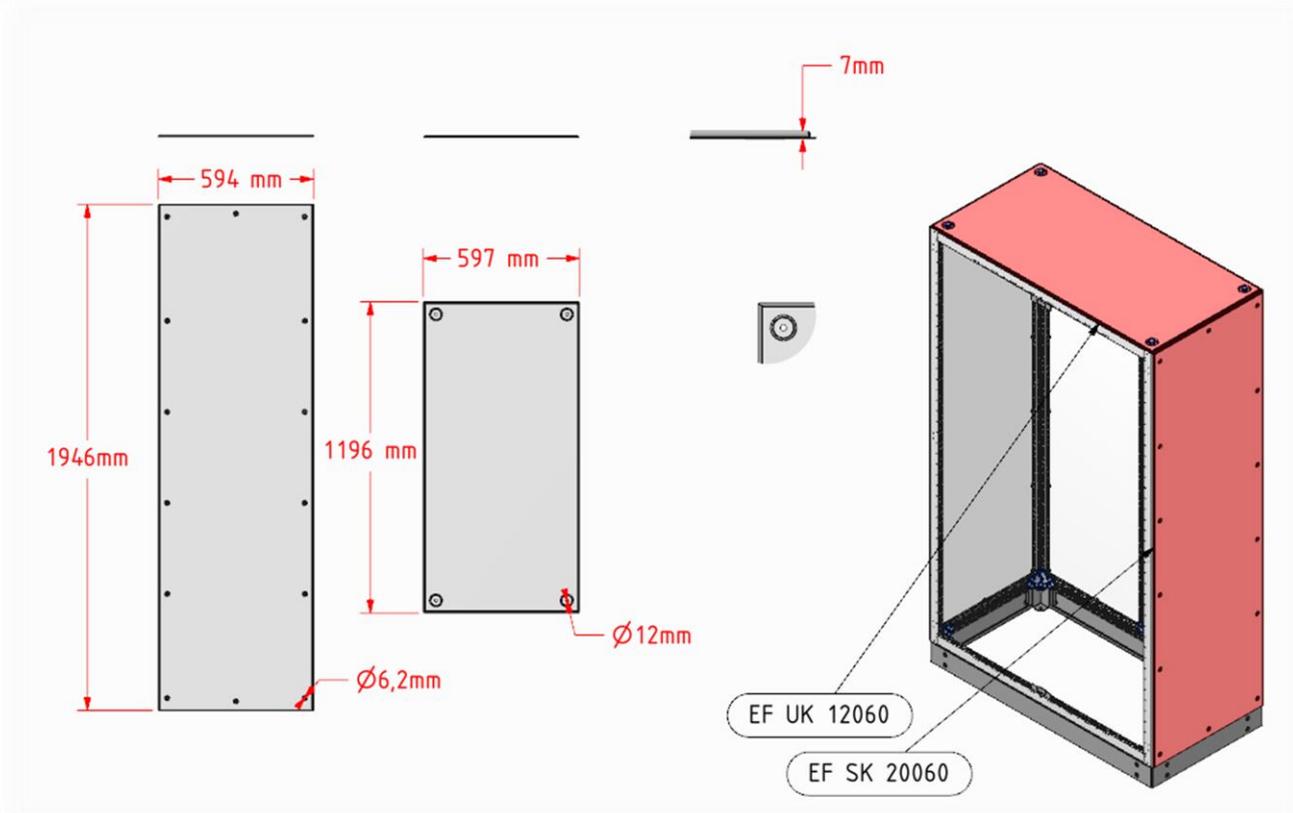
EF RETURN MODULE SET -DNS MD



RETURN MODULE INFORMATION

- Return modules consist of pieces of **EF DNS MD BZ**, **EF DNS MD UK** and **EF DP** whose sizes vary with certain unit measures according to standard panel measures. L type and Z type panel groups can be formed with these modules.
- Return modules are special production.

EF FIXED COVERS SK - UK



EF FIXED COVERS INFORMATION

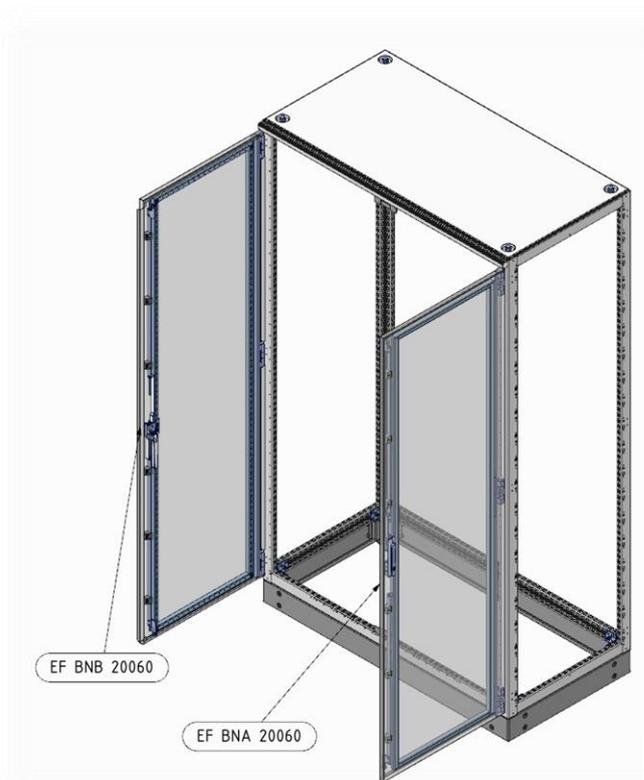
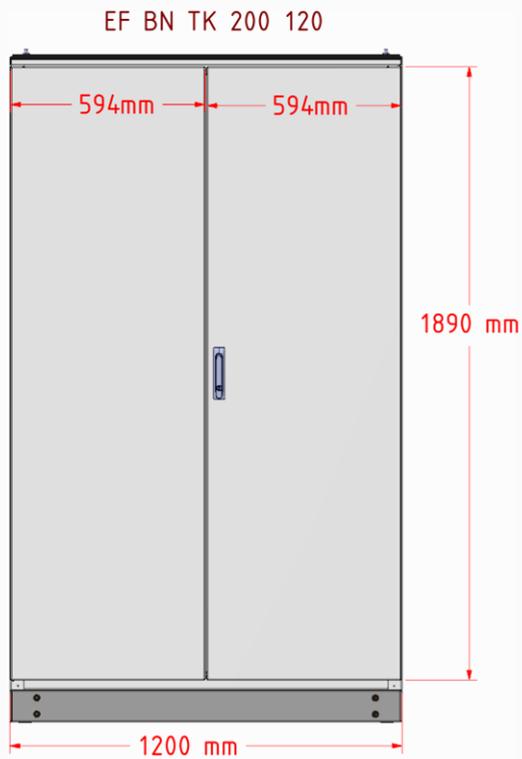
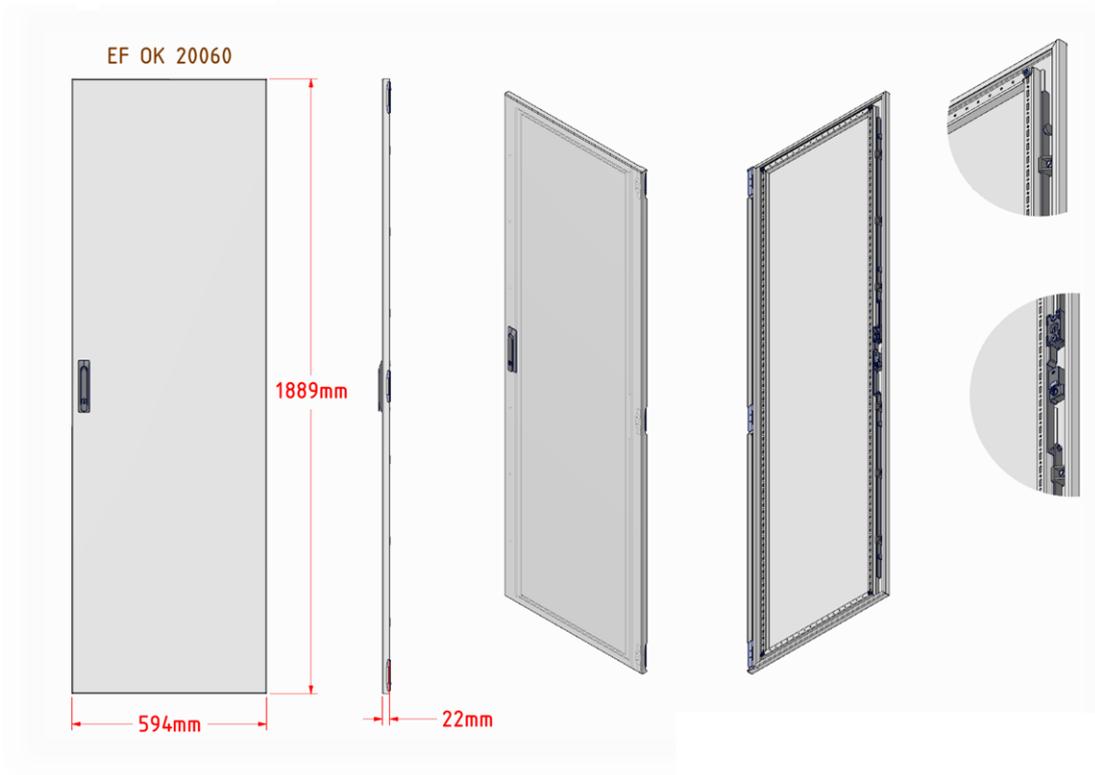
- Panel right, left and rear fixed covers are represented with **SK** and upper fixed covers are represented with **UK**. Resistance of fixed covers is increased with custom crushing type bending and form moulds. EF series fixed covers are sealed.
- **UK** coded covers are inside the module set. There is no need for external order except for spare part need.

EF FIXED DOORS -SK										
CABINET NOMINAL WIDTH (CM)										
	30	40	50	60	70	80	90	100	120	
CABINET NOMINAL HEIGHT (cm)	140	EF SK 14030	EF SK 14040	EF SK 14050	EF SK 14060	EF SK 14070	EF SK 14080	EF SK 14090	EF SK 140100	EF SK 140120
	160	EF SK 16030	EF SK 16040	EF SK 16050	EF SK 16060	EF SK 16070	EF SK 16080	EF SK 16090	EF SK 160100	EF SK 160120
	180	EF SK 18030	EF SK 18040	EF SK 18050	EF SK 18060	EF SK 18070	EF SK 18080	EF SK 18090	EF SK 180100	EF SK 180120
	200	EF SK 20030	EF SK 20040	EF SK 20050	EF SK 20060	EF SK 20070	EF SK 20080	EF SK 20090	EF SK 200100	EF SK 200120
	220	EF SK 22030	EF SK 22040	EF SK 22050	EF SK 22060	EF SK 22070	EF SK 22080	EF SK 22090	EF SK 220100	EF SK 200120

EF FIXED DOORS -UK										
CABINET NOMINAL WIDTH (CM)										
CABINET NOMINAL DEPTH (cm)		30	40	50	60	70	80	90	100	120
	30	EF UK 3030	EF UK 4030	EF UK 5030	EF UK 6030	EF UK 7030	EF UK 8030	EF UK 9030	EF UK 10030	EF UK 12030
	40	EF UK 3040	EF UK 4040	EF UK 5040	EF UK 6040	EF UK 7040	EF UK 8040	EF UK 9040	EF UK 10040	EF UK 12040
	50	EF UK 3050	EF UK 4050	EF UK 5050	EF UK 6050	EF UK 7050	EF UK 8050	EF UK 9050	EF UK 10050	EF UK 12050
	60	EF UK 3060	EF UK 4060	EF UK 5060	EF UK 6060	EF UK 7060	EF UK 8060	EF UK 9060	EF UK 10060	EF UK 12060
	70	EF UK 3070	EF UK 4070	EF UK 5070	EF UK 6070	EF UK 7070	EF UK 8070	EF UK 9070	EF UK 10070	EF UK 12070
	80	EF UK 3080	EF UK 4080	EF UK 5080	EF UK 6080	EF UK 7080	EF UK 8080	EF UK 9080	EF UK 10080	EF UK 12080
	90	EF UK 3090	EF UK 4090	EF UK 5090	EF UK 6090	EF UK 7090	EF UK 8090	EF UK 9090	EF UK 10090	EF UK 12090
	100	EF UK 30100	EF UK 40100	EF UK 50100	EF UK 60100	EF UK 70100	EF UK 80100	EF UK 90100	EF UK 100100	EF UK 12100
	120	EF UK 30120	EF UK 40120	EF UK 50120	EF UK 60120	EF UK 70120	EF UK 80120	EF UK 90120	EF UK 100120	EF UK 120120



EF FRONT DOORS - OK - BN TK



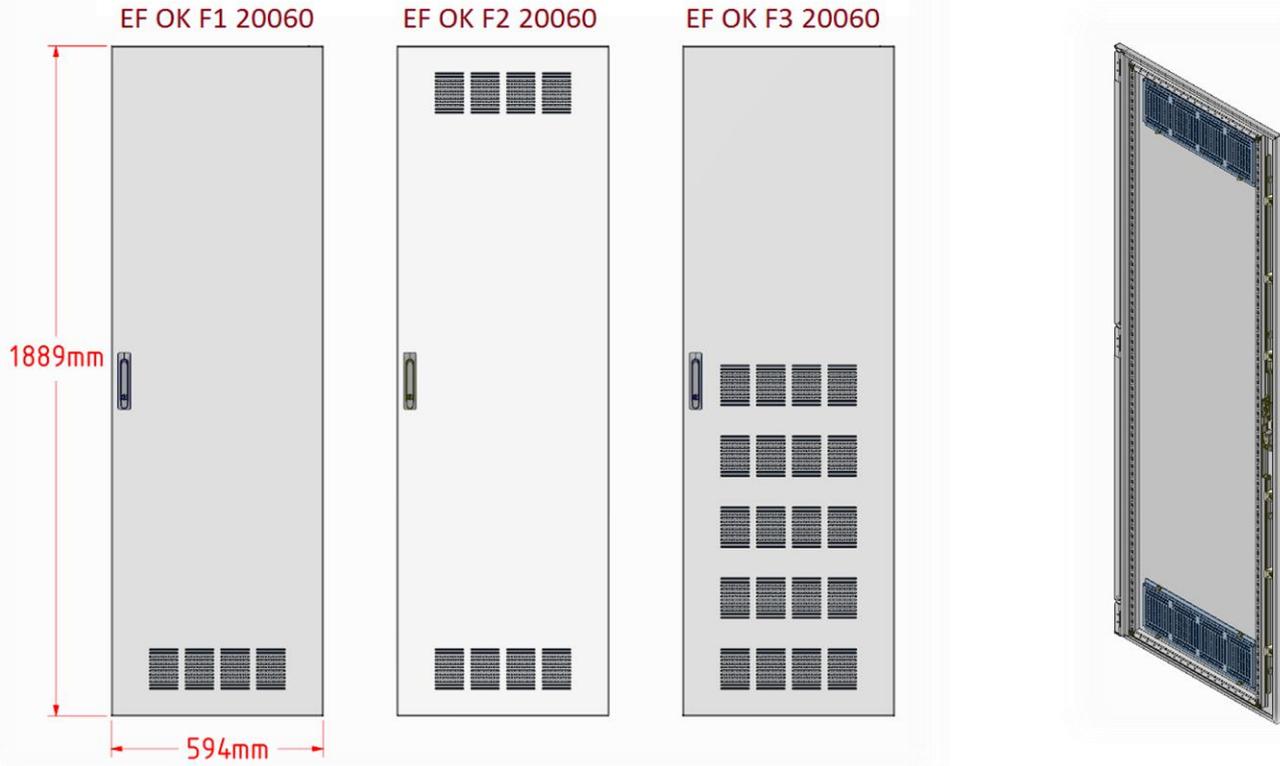
FRONT DOORS- INFORMATION

- EF series front doors are represented with **EF OK** code. Doors are equipped with swing handle type lock mechanism and locked from 4 points. It is supported with required profiles from the inner surface to prevent undesired expansions.
- Wide open space usage in front area is provided with lap system. It is defined with **EF BN TK** code.
- **EF OK F1** , **EF OK F2** , **EF OK F3** for ventilation filter application in doors.
- There is the bottom two lines grid model for **EF OK F2** doors.
- **EF OK C0**, **EF OK C1**, **EF OK C2** for the glass applications in doors.

EF SERIES FRONT DOORS – EF OK									
CABINET NOMINAL WIDTH MEASURES– (cm)									
CABINET NOMINAL HEIGHT(cm)		30	40	50	60	70	80	90	100
	140	EF OK 14030	EF OK 14040	EF OK 14050	EF OK 14060	EF OK 14070	EF OK 14080	EF OK 14090	EF OK 140100
	160	EF OK 16030	EF OK 16040	EF OK 16050	EF OK 16060	EF OK 16070	EF OK 16080	EF OK 16090	EF OK 160100
	180	EF OK 18030	EF OK 20040	EF OK 20050	EF OK 20060	EF OK 20070	EF OK 20080	EF OK 20090	EF OK 200100
	200	EF OK 20030	EF OK 20040	EF OK 20050	EF OK 20060	EF OK 20070	EF OK 20080	EF OK 20090	EF OK 200100
	220	EF OK 22030	EF OK 22040	EF OK 22050	EF OK 22060	EF OK 22070	EF OK 22080	EF OK 22090	EF OK 220100

EF SERIES LAP FRONT DOORS – EF BN TK				
CABINET NOMINAL WIDTH MEASURES – (cm)				
CABINET NOMINAL HEIGHT(cm)		80	100	120
	140	EF BN TK 14080	EF BN TK 140100	EF BN TK 140120
	160	EF BN TK 16080	EF BN TK 160100	EF BN TK 160120
	180	EF BN TK 18080	EF BN TK 180100	EF BN TK 180120
	200	EF BN TK 20080	EF BN TK 200100	EF BN TK 200120
	220	EF BN TK 22080	EF BN TK 220100	EF BN TK 220120

EF FILTERED FRONT DOORS – OK F1 -F2-F3



EF SERIES FILTERED FRONT DOORS – EF OK F1

CABINET NOMINAL WIDTH SIZE – (cm)

CABINET NOMINAL HEIGHT(cm)		30	40	50	60	70	80	90	100
	140		EF OK F1 14030	EF OK F1 14040	EF OK F1 14050	EF OK F1 14060	EF OK F1 14070	EF OK F1 14080	EF OK F1 14090
160		EF OK F1 16030	EF OK F1 16040	EF OK F1 16050	EF OK F1 16060	EF OK F1 16070	EF OK F1 16080	EF OK F1 16090	EF OK F1 160100
180		EF OK F1 18030	EF OK F1 20040	EF OK F1 20050	EF OK F1 20060	EF OK F1 20070	EF OK F1 20080	EF OK F1 20090	EF OK F1 200100
200		EF OK F1 20030	EF OK F1 20040	EF OK F1 20050	EF OK F1 20060	EF OK F1 20070	EF OK F1 20080	EF OK F1 20090	EF OK F1 200100
220		EF OK F1 22030	EF OK F1 22040	EF OK F1 22050	EF OK F1 22060	EF OK F1 22070	EF OK F1 22080	EF OK F1 22090	EF OK F1 220100

EF SERIES FILTERED FRONT- DOUBLE DOORS – EF BN F1

CABINET NOMINAL WIDTH SIZE – (cm)

CABINET NOMINAL HEIGHT(cm)		80	100	120
	140		EF BN F1 14080	EF BN F1 140100
160		EF BN F1 16080	EF BN F1 160100	EF BN F1 160120
180		EF BN F1 18080	EF BN F1 180100	EF BN F1 180120
200		EF BN F1 20080	EF BN F1 200100	EF BN F1 200120
220		EF BN F1 22080	EF BN F1 220100	EF BN F1 220120

EF SERIES FILTERED FRONT DOORS – EF OK F2

CABINET NOMINAL WIDTH SIZE – (cm)

CABINET NOMINAL HEIGHT (cm)		30	40	50	60	70	80	90	100
	140		EF OK F2 14030	EF OK F2 14040	EF OK F2 14050	EF OK F2 14060	EF OK F2 14070	EF OK F2 14080	EF OK F2 14090
160		EF OK F2 16030	EF OK F2 16040	EF OK F2 16050	EF OK F2 16060	EF OK F2 16070	EF OK F2 16080	EF OK F2 16090	EF OK F2 160100
180		EF OK F2 18030	EF OK F2 20040	EF OK F2 18050	EF OK F2 18060	EF OK F2 18070	EF OK F2 18080	EF OK F2 18090	EF OK F2 180100
200		EF OK F2 20030	EF OK F2 20040	EF OK F2 20050	EF OK F2 20060	EF OK F2 20070	EF OK F2 20080	EF OK F2 20090	EF OK F2 200100
220		EF OK F2 22030	EF OK F2 22040	EF OK F2 22050	EF OK F2 22060	EF OK F2 22070	EF OK F2 22080	EF OK F2 22090	EF OK F2 220100

EF SERIES FILTERED DOUBLE FRONT DOORS – EF BN F2

CABINET NOMINAL WIDTH SIZE – (cm)

CABINET NOMINAL HEIGHT (cm)		80	100	120
	140		EF BN F2 14080	EF BN F2 140100
160		EF BN F2 16080	EF BN F2 160100	EF BN F2 160120
180		EF BN F2 18080	EF BN F2 180100	EF BN F2 180120
200		EF BN F2 20080	EF BN F2 200100	EF BN F2 200120
220		EF BN F2 22080	EF BN F2 220100	EF BN F2 220120

EF SERIES FILTERED FRONT DOORS – EF OK F3

CABINET NOMINAL WIDTH SIZE – (cm)

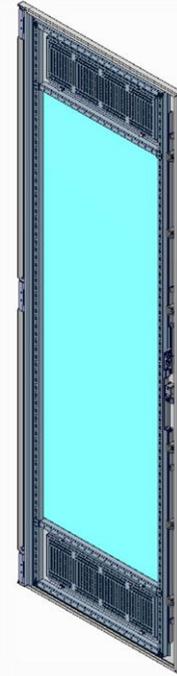
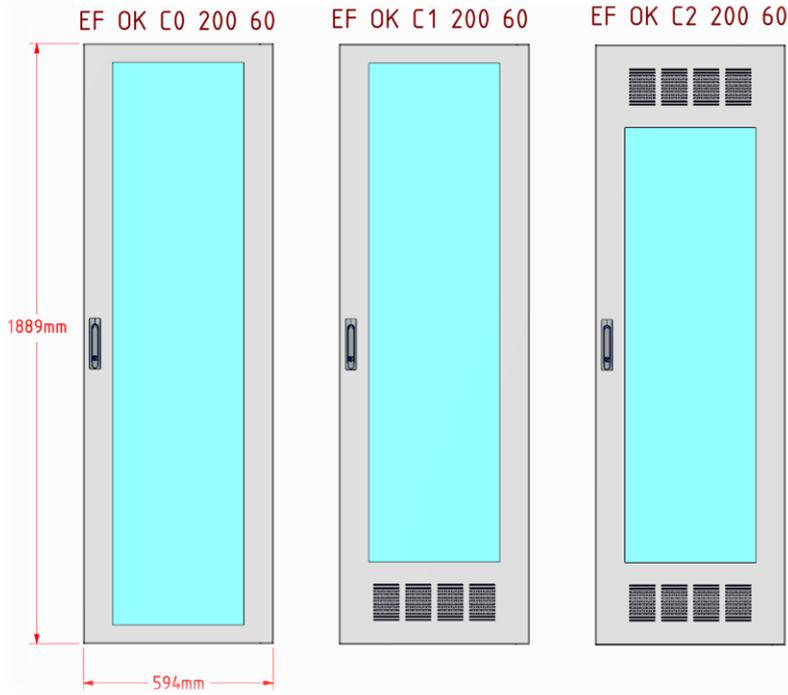
CABINET NOMINAL HEIGHT (cm)		30	40	50	60	70	80	90	100
	140		EF OK F3 14030	EF OK F3 14040	EF OK F3 14050	EF OK F3 14060	EF OK F3 14070	EF OK F3 14080	EF OK F3 14090
160		EF OK F3 16030	EF OK F3 16040	EF OK F3 16050	EF OK F3 16060	EF OK F3 16070	EF OK F3 16080	EF OK F3 16090	EF OK F3 160100
180		EF OK F3 18030	EF OK F3 20040	EF OK F3 20050	EF OK F3 20060	EF OK F3 20070	EF OK F3 20080	EF OK F3 20090	EF OK F3 200100
200		EF OK F3 20030	EF OK F3 20040	EF OK F3 20050	EF OK F3 20060	EF OK F3 20070	EF OK F3 20080	EF OK F3 20090	EF OK F3 200100
220		EF OK F3 22030	EF OK F3 22040	EF OK F3 22050	EF OK F3 22060	EF OK F3 22070	EF OK F3 22080	EF OK F3 22090	EF OK F3 220100

EF SERIES LAP FILTERED FRONT DOORS – EF BN F3

CABINET NOMINAL WIDTH SIZE – (cm)

CABINET NOMINAL HEIGHT (cm)		80	100	120
	140		EF BN F3 14080	EF BN F3 140100
160		EF BN F3 16080	EF BN F3 160100	EF BN F3 160120
180		EF BN F3 18080	EF BN F3 180100	EF BN F3 180120
200		EF BN F3 20080	EF BN F3 200100	EF BN F3 200120
220		EF BN F3 22080	EF BN F3 220100	EF BN F3 220120

EF FRONT DOORS GLASS TYPE – OK C0 - C1 - C2



EF SERIES GLASS TYPE FRONT DOORS – EF OK C0

CABINET NOMINAL WIDTH SIZE – (cm)

CABINET NOMINAL HEIGHT(cm)		30	40	50	60	70	80	90	100
	140		EF OK C0 14030	EF OK C0 14040	EF OK C0 14050	EF OK C0 14060	EF OK C0 14070	EF OK C0 14080	EF OK C0 14090
160		EF OK C0 16030	EF OK C0 16040	EF OK C0 16050	EF OK C0 16060	EF OK C0 16070	EF OK C0 16080	EF OK C0 16090	EF OK C0 160100
180		EF OK C0 18030	EF OK C0 20040	EF OK C0 20050	EF OK C0 20060	EF OK C0 20070	EF OK C0 20080	EF OK C0 20090	EF OK C0 200100
200		EF OK C0 20030	EF OK C0 20040	EF OK C0 20050	EF OK C0 20060	EF OK C0 20070	EF OK C0 20080	EF OK C0 20090	EF OK C0 200100
220		EF OK C0 22030	EF OK C0 22040	EF OK C0 22050	EF OK C0 22060	EF OK C0 22070	EF OK C0 22080	EF OK C0 22090	EF OK C0 220100

EF SERIES GLASS TYPE FRONT DOORS – EF BN C0

CABINET NOMINAL WIDTH SIZE – (cm)

CABINET NOMINAL HEIGHT(cm)		80	100	120
	140		EF BN C0 14080	EF BN C0 140100
160		EF BN C0 16080	EF BN C0 160100	EF BN C0 160120
180		EF BN C0 18080	EF BN C0 180100	EF BN C0 180120
200		EF BN C0 20080	EF BN C0 200100	EF BN C0 200120
220		EF BN C0 22080	EF BN C0 220100	EF BN C0 220120

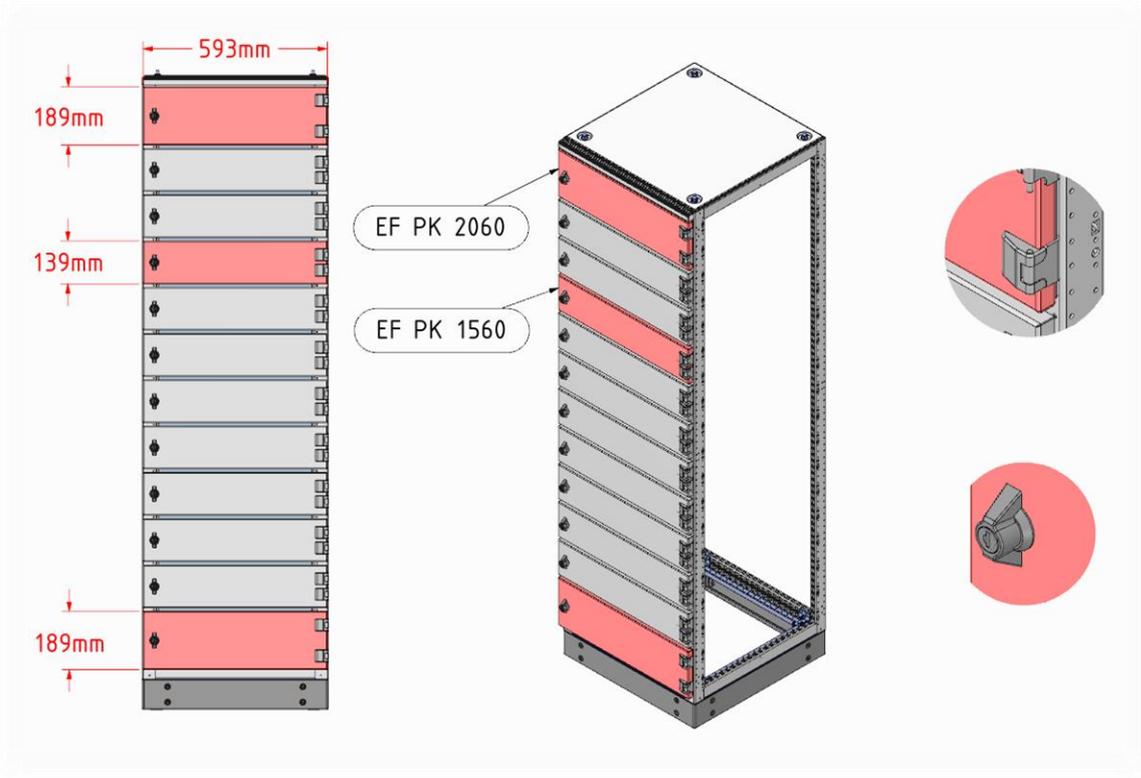
EF SERIES GLASS TYPE SINGLE FILTERED FRONT DOORS – EF OK C1									
CABINET NOMINAL WIDTH SIZE – (cm)									
CABINET NOMINAL HEIGHT(cm)		30	40	50	60	70	80	90	100
	140	EF OK C1 14030	EF OK C1 14040	EF OK C1 14050	EF OK C1 14060	EF OK C1 14070	EF OK C1 14080	EF OK C1 14090	EF OK C1 140100
	160	EF OK C1 16030	EF OK C1 16040	EF OK C1 16050	EF OK C1 16060	EF OK C1 16070	EF OK C1 16080	EF OK C1 16090	EF OK C1 160100
	180	EF OK C1 18030	EF OK C1 20040	EF OK C1 20050	EF OK C1 20060	EF OK C1 20070	EF OK C1 20080	EF OK C1 20090	EF OK C1 200100
	200	EF OK C1 20030	EF OK C1 20040	EF OK C1 20050	EF OK C1 20060	EF OK C1 20070	EF OK C1 20080	EF OK C1 20090	EF OK C1 200100
	220	EF OK C1 22030	EF OK C1 22040	EF OK C1 22050	EF OK C1 22060	EF OK C1 22070	EF OK C1 22080	EF OK C1 22090	EF OK C1 220100

EF SERIES - GLASS TYPE SINGLE FILTERED -FRONT DOUBLE DOORS – EF BN C1				
CABINET NOMINAL WIDTH SIZE – (cm)				
CABINET NOMINAL HEIGHT(cm)		80	100	120
	140	EF BN C1 14080	EF BN C1 140100	EF BN C1 140120
	160	EF BN C1 16080	EF BN C1 160100	EF BN C1 160120
	180	EF BN C1 18080	EF BN C1 180100	EF BN C1 180120
	200	EF BN C1 20080	EF BN C1 200100	EF BN C1 200120
	220	EF BN C1 22080	EF BN C1 220100	EF BN C1 220120

EF SERIES GLASS TYPE FILTERED- DOUBLE FRONT DOORS– EF OK C2									
CABINET NOMINAL WIDTH SIZE – (cm)									
CABINET NOMINAL HEIGHT(cm)		30	40	50	60	70	80	90	100
	140	EF OK C2 14030	EF OK C2 14040	EF OK C2 14050	EF OK C2 14060	EF OK C2 14070	EF OK C2 14080	EF OK C2 14090	EF OK C2 140100
	160	EF OK C2 16030	EF OK C2 16040	EF OK C2 16050	EF OK C2 16060	EF OK C2 16070	EF OK C2 16080	EF OK C2 16090	EF OK C2 160100
	180	EF OK C2 18030	EF OK C2 20040	EF OK C2 20050	EF OK C2 20060	EF OK C2 20070	EF OK C2 20080	EF OK C2 20090	EF OK C2 200100
	200	EF OK C2 20030	EF OK C2 20040	EF OK C2 20050	EF OK C2 20060	EF OK C2 20070	EF OK C2 20080	EF OK C2 20090	EF OK C2 200100
	220	EF OK C2 22030	EF OK C2 22040	EF OK C2 22050	EF OK C2 22060	EF OK C2 22070	EF OK C2 22080	EF OK C2 22090	EF OK C2 220100

EF SERIES LAP – GLASS TYPE FILTERED – DOUBLE FRONT DOORS – EF BN C2									
CABINET NOMINAL WIDTH SIZE – (cm)									
CABINET NOMINAL HEIGHT(cm)		30	40	50	60	70	80	90	100
	140	EF BN C2 14030	EF BN C2 14040	EF BN C2 14050	EF BN C2 14060	EF BN C2 14070	EF BN C2 14080	EF BN C2 14090	EF BN C2 140100
	160	EF BN C2 16030	EF BN C2 16040	EF BN C2 16050	EF BN C2 16060	EF BN C2 16070	EF BN C2 16080	EF BN C2 16090	EF BN C2 160100
	180	EF BN C2 18030	EF BN C2 20040	EF BN C2 20050	EF BN C2 20060	EF BN C2 20070	EF BN C2 20080	EF BN C2 20090	EF BN C2 200100
	200	EF BN C2 20030	EF BN C2 20040	EF BN C2 20050	EF BN C2 20060	EF BN C2 20070	EF BN C2 20080	EF BN C2 20090	EF BN C2 200100
	220	EF BN C2 22030	EF BN C2 22040	EF BN C2 22050	EF BN C2 22060	EF BN C2 22070	EF BN C2 22080	EF BN C2 22090	EF BN C2 220100

EF PARTIAL DOORS - PK OK



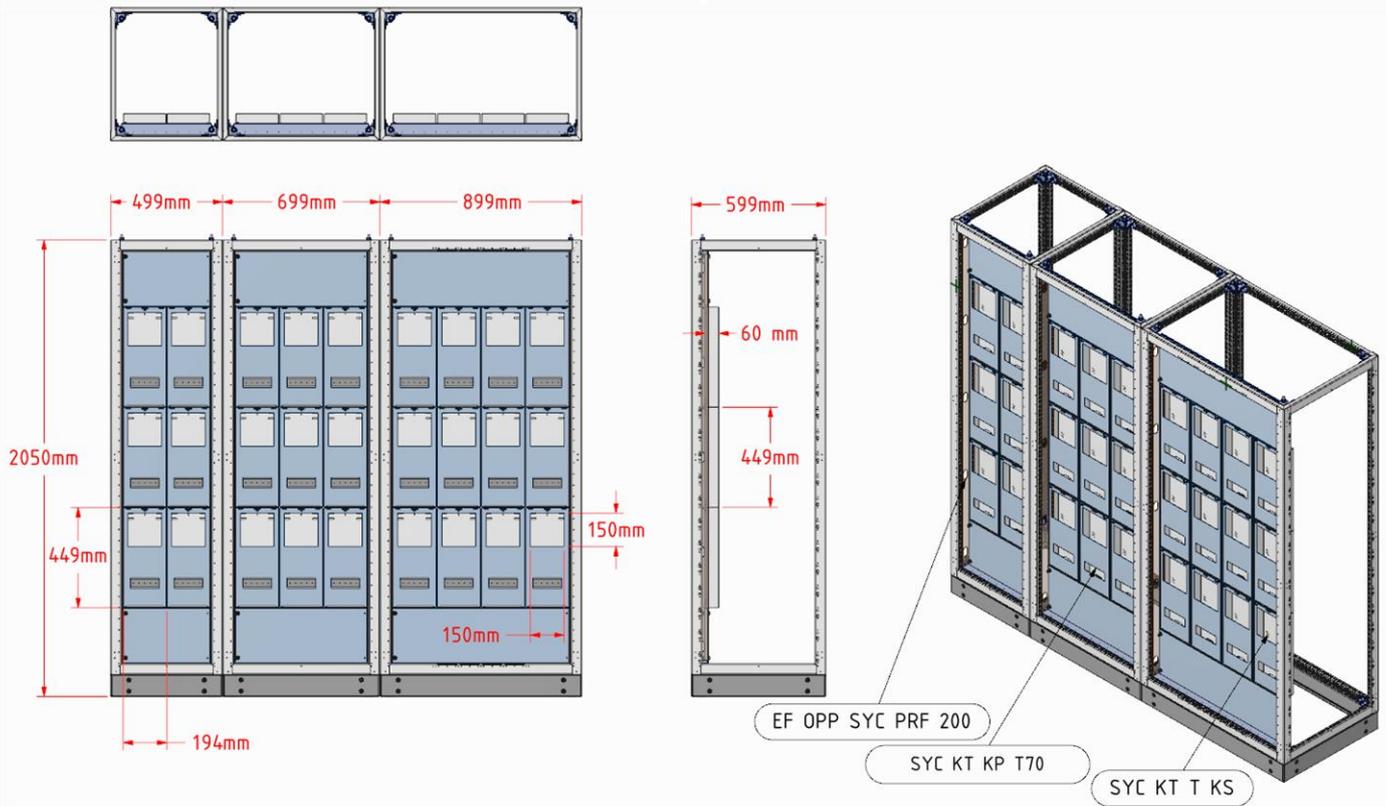
EF PARTIAL DOORS- INFORMATION

- EF series partial doors are represented with **EF PK** code. Bottom and top partial doors nominal measure should be 20 cm (minimum.)
- There is the option of swing handle locks for full size partial doors. Other measures are as stated in the list.

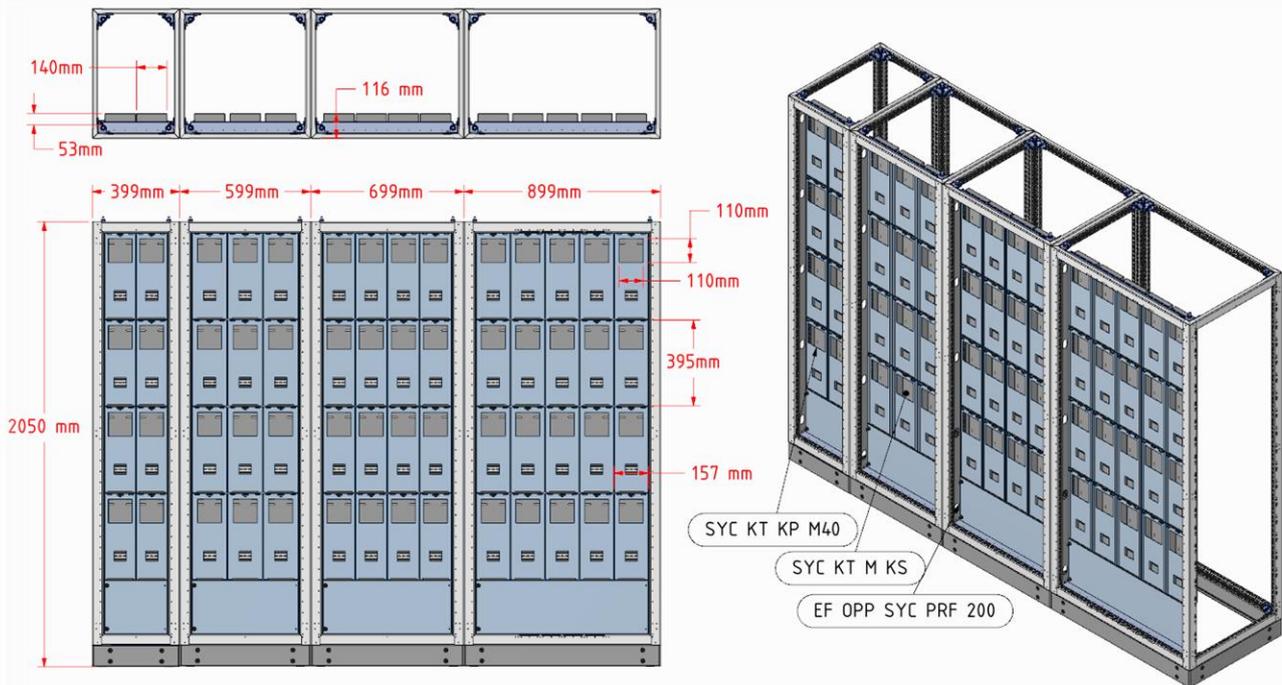
EF PARTIAL DOORS						
CABINET NOMINAL WIDTH (CM)						
40	50	60	70	80	90	100
EF PK 1540	EF PK 1550	EF PK 1560	EF PK 1570	EF PK 1580	EF PK 1590	EF PK 15100
EF PK 2040	EF PK 2050	EF PK 2060	EF PK 2070	EF PK 2080	EF PK 2090	EF PK 20100
EF PK 2540	EF PK 2550	EF PK 2560	EF PK 2570	EF PK 2580	EF PK 2590	EF PK 25100
EF PK 3040	EF PK 3050	EF PK 3060	EF PK 3070	EF PK 3080	EF PK 3090	EF PK 30100
EF PK 4040	EF PK 4050	EF PK 4060	EF PK 4070	EF PK 4080	EF PK 4090	EF PK 40100
EF PK 5040	EF PK 5050	EF PK 5060	EF PK 5070	EF PK 5080	EF PK 5090	EF PK 50100
EF PK 6040	EF PK 6050	EF PK 6060	EF PK 6070	EF PK 6080	EF PK 6090	EF PK 60100
EF PK 7040	EF PK 7050	EF PK 7060	EF PK 7070	EF PK 7080	EF PK 7090	EF PK 70100
EF PK 8040	EF PK 8050	EF PK 8060	EF PK 8070	EF PK 8080	EF PK 8090	EF PK 80100
EF PK 9040	EF PK 9050	EF PK 9060	EF PK 9070	EF PK 9080	EF PK 9090	EF PK 90100
EF PK 10040	EF PK 10050	EF PK 10060	EF PK 10070	EF PK 10080	EF PK 10090	EF PK 100100
EF PK 11040	EF PK 11050	EF PK 11060	EF PK 11070	EF PK 11080	EF PK 11090	EF PK 110100
EF PK 12040	EF PK 12050	EF PK 12060	EF PK 12070	EF PK 12080	EF PK 12090	EF PK 120100
EF PK 13040	EF PK 13050	EF PK 13060	EF PK 13070	EF PK 13080	EF PK 13090	EF PK 130100
EF PK 14040	EF PK 14050	EF PK 14060	EF PK 14070	EF PK 14080	EF PK 14090	EF PK 140100
EF PK 15040	EF PK 15050	EF PK 15060	EF PK 15070	EF PK 15080	EF PK 15090	EF PK 150100
EF PK 16040	EF PK 16050	EF PK 16060	EF PK 16070	EF PK 16080	EF PK 16090	EF PK 160100
EF PK 17040	EF PK 17050	EF PK 17060	EF PK 17070	EF PK 17080	EF PK 17090	EF PK 170100
EF PK 18040	EF PK 18050	EF PK 18060	EF PK 18070	EF PK 18080	EF PK 18090	EF PK 180100
EF PK 19040	EF PK 19050	EF PK 19060	EF PK 19070	EF PK 19080	EF PK 19090	EF PK 190100
EF PK 21040	EF PK 21050	EF PK 21060	EF PK 21070	EF PK 21080	EF PK 21090	EF PK 210100

EF METER PANELS

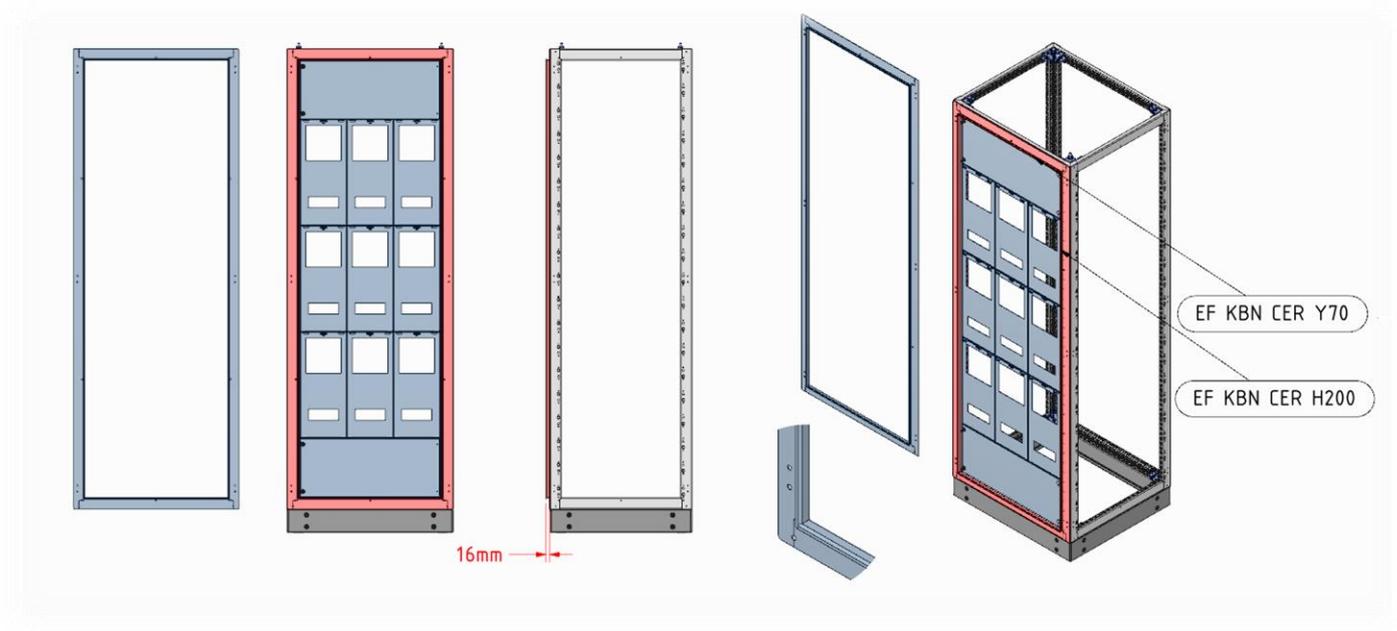
BOXED TYPE METER PANELS THREE-PHASE



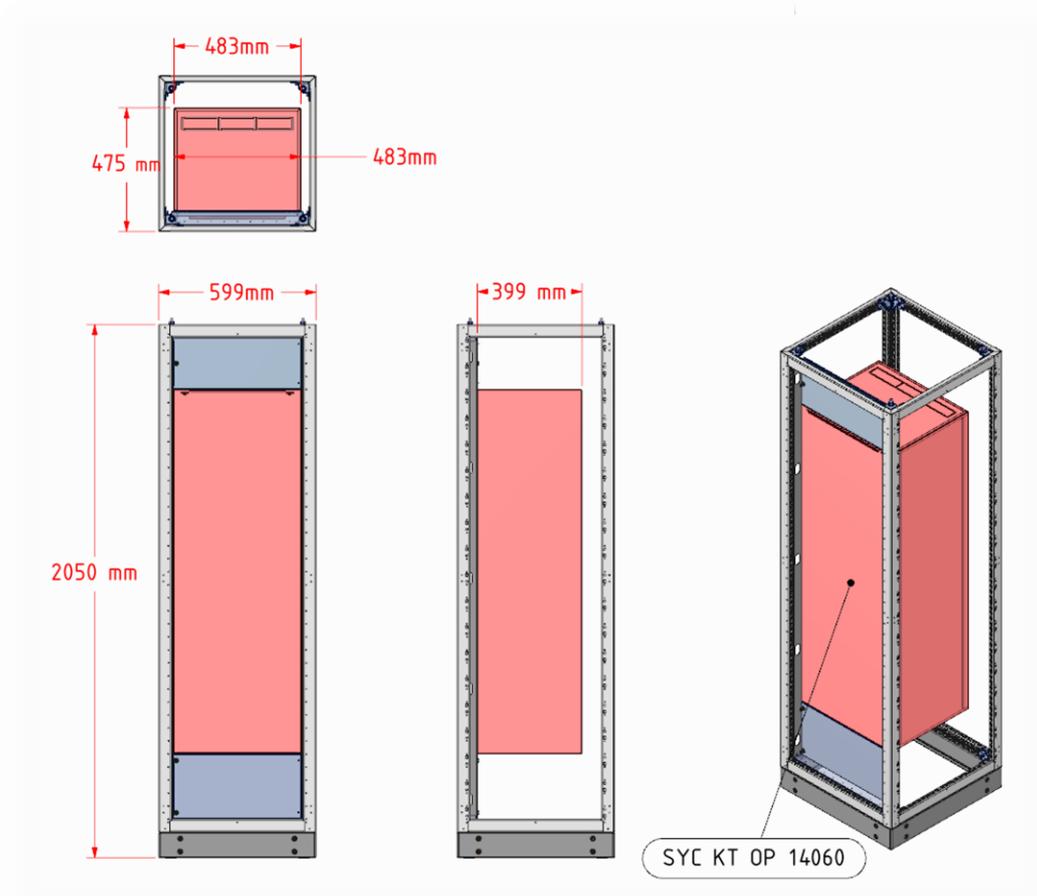
BOXED TYPE METER PANELS SINGLE-PHASE



WITHOUT DOOR (FRAMED) METER PANELS



SWITCH BOXED METER PANELS



METER PANELS- INFORMATION

- Ef series meter panels are formed with pieces of **EF OPP SC PRF TK** - (Meter cover plate profile) **SC BOL PRF TK** (meter partitioning profile set) **SC KT M** (single-phase meter box) **SC KT T** (three-phase meter box) **SC OP M** (single-phase meter cover plate) **SC OP T** (meter cover plate three-phase) after modular frame is formed. Determined cabinet sizes should be selected.
- **EF OK** doors are not included in the pictures. Demanded door type should be added.
- Frameless models and **EF OK** doors are not used.
- Based on needs, mounting is performed in meter panels without box by using M type profiles and plates.
- Switch boxed meter panels and other material measurement variations are as stated in the table.
- Meter cover plates vary in measurement according to the cabinet it is used with.

EF OPP SC PRF TK (Meter cover plate profile)				
CABINET NOMINAL HEIGHT(cm)				
140	160	180	200	220
EF OPP SC PRF TK 140.01	EF OPP SC PRF TK 160.01	EF OPP SC PRF TK 180.01	EF OPP SC PRF TK 200.01	EF OPP SC PRF TK 220.01
EF OPP SC PRF TK 140	EF OPP SC PRF TK 160	EF OPP SC PRF TK 180	EF OPP SC PRF TK 200	EF OPP SC PRF TK 220

SC BOL PRF TK T (meter partitioning profile set three-phase –product nominal measure)		
50	70	90
SC BOL PRF TK 50T	SC BOL PRF TK 70T	SC BOL PRF TK 90T

SC BOL PRF TK M (meter partitioning profile set single-phase - product nominal measure)			
40	60	70	90
SC BOL PRF TK 40M	SC BOL PRF TK 60M	SC BOL PRF TK 70M	SC BOL PRF TK 90M

SC KT T (meter box three-phase - product nominal measure)		
50	70	90
SC KT T50	SC KT T70	SC KT T90

SC KT M (meter box single-phase - product nominal measure)			
40	60	70	90
SC KT M40	SC KT M60	SC KT M70	SC KT M90

SC OP T (Meter cover plate three-phase - product nominal measure)

50	70	90
SC OP 50T	SC OP 70T	SC OP 90

SC OP M (Meter cover plate single-phase - product nominal measure)

40	60	70	90
SC OP 40M	SC OP 60M	SC OP 70M	SC OP 90M

We are with those who are advancing toward their goals...



EF X SERIES - GENERAL



EF X Series ;

are standing type low voltage electrical panels in modular structure with high-strength to application conditions that offers flexible design solutions and mountability to you in your projects as well as EF series.

According to area of usage;

It provides cover plate, bottom plate mounting, vertical and horizontal bar mounted, rail type device, screw-type device mounting and coupling application combinations with a safe, standard access. Unlike EF series, EF X series is produced much lighter and cost benefit without using redundant material in high section and amount in areas where the application conditions are not too compelling. This series' essential material and production quality is the same and it was not subject to certification processes in particular.

EF X SERIES -USAGE AREAS



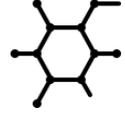
- MPCC - Main distribution control center (up to 4000 A current)
- PCC- Power control center
- RPCC- Reactive power control center
- WRPCC - Cabinet reactive power control center
- MC- Meter and measurement applications
- MCC - Motor control center applications
- BMS- Building control system applications

EF SERIES – TECHNICAL SPECIFICATIONS



- Area of usage : Built-in type
- Nominal operating voltage : 400 V AC 690 V AC
- Nominal insulation voltage : 1000 V
- Nominal impact resistance voltage : 12 kV
- Main operating current : Up to 4000 Ampere
- Nominal frequency : 50 Hz
- Nominal degree of protection : IP 44
- Nominal mechanical impact code : IK10
- Coat : Electrostatics powder coat
- Coat color : RAL 7035 (std)
- Level of pollution : 3 (III a)
- Cooling type : Natural or optional fan

EF X SERIES- CABINET STRUCTURE

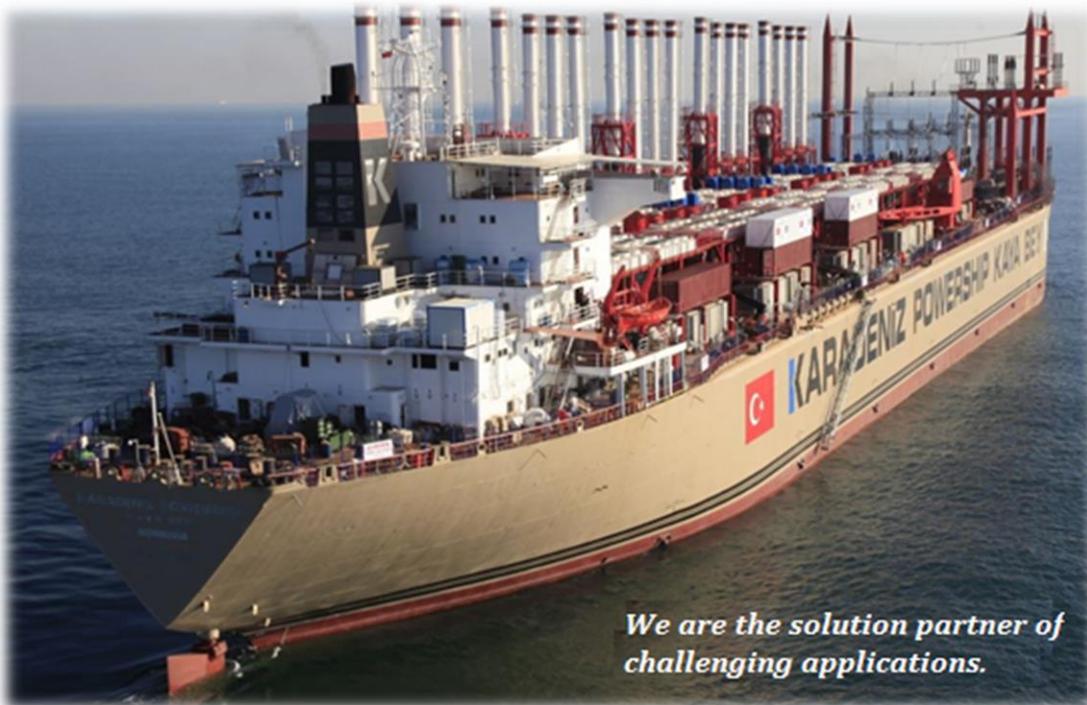


- Frame compounding : Custom form 4 mm corner member
- Frame : 2 mm section galvanized profile
- Interior mounting profiles : 2 mm section galvanized profile
- Interior mounting plates : 1,5 mm section galvanic
- Front shutter : 1,2 mm section DKP sheet
- Side-rear covers : 1 mm section DKP sheet
- rear covers : 1 mm section DKP sheet
- Base conveyor : 4 mm section DKP sheet (2mm+2mm foliated application)
- Base covers : 1,5 mm section DKP sheet
- Bottom cover sheet metal : 1,2 mm galvanized sheet
- Lock type : Four-point fixed swing handle lock

EF X SERIES- CERTIFICATIONS

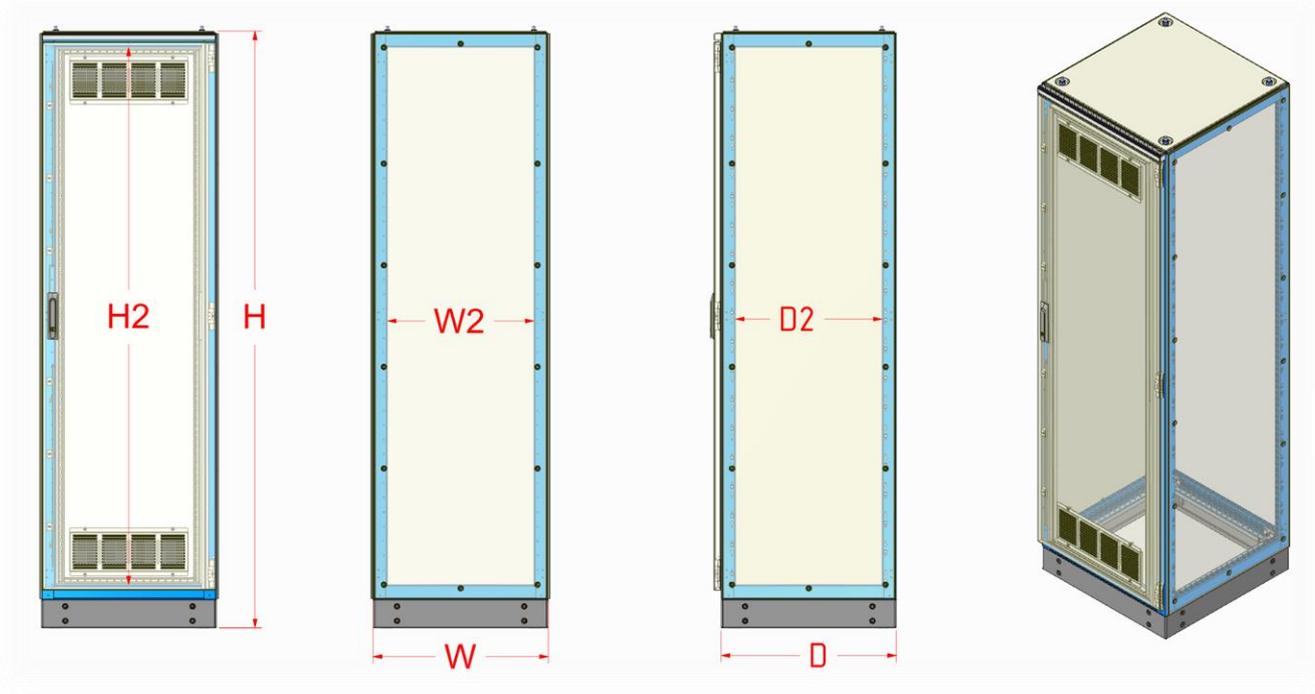


- Gost-R : Conformity for Russian market
- Domestic production certificate : ISO and TOBB attestation
- ISO 45001 :2018 : Criteria for occupation, production and safety.
- ISO 9001 : 2015 : Quality management
- ISO 14001 : 2015 : Environmentally benign production
- CE : Conformity for European market



*We are the solution partner of
challenging applications.*

EF X SERIES – MEASUREMENTS



EF X SERIES MEASUREMENTS					
H	H2	W	W2	D	D2
1450 mm	1250 mm	300 mm	200 mm	300 mm	200 mm
1650 mm	1450 mm	400 mm	300 mm	400 mm	300 mm
1850 mm	1650 mm	500 mm	400 mm	500 mm	400 mm
2050 mm	1850 mm	600 mm	500 mm	600 mm	500 mm
2250 mm	2050 mm	700 mm	600 mm	700 mm	600 mm
		800 mm	700 mm	800 mm	700 mm

EF SERIES MEASUREMENT- Information

- Area of usage defines the remaining area size for needs such as cover plate, switch material and bar layout, etc. left in the inner area after the panel frame profiles.
- **H** : Height **H2**: Vertical inner area of usage **W** : Width **W2**: Horizontal inner area of usage **D** :Depth **D2** : Depth inner area of usage
- Measures of the panel in the image are indicated with red.
- EF X series is limited in terms of measurement range compared to EF series.
- Order of measurement in the catalogue is indicated as **1**-Height **2**-Width **3**-Depth

EF X SERIES- MODULE SET

EF MODULE SET- INFORMATION

- In the ordering of EF X series panels, the first step is the selection of module set. As the product is same as EF series, additional technical picture is not used.
- Module set consists of the pieces of standard base **EF BZ KP**, bottom cover profile **EF AL KAP PRF**, horizontal frame profiles **EF YP** and fixed upper cover **EF UK**. Bottom cover pieces in EF X series is the same as EF series and is selected from the same table. EF X YP profiles are uncoated.
- Module set in the sample picture is the module set with the code of EF **MS 0606**. Numbers of "0606" defines 60 cm height and 60 cm width.
- As the depth is not a parameter in these pieces, it is not specified.
- In circumstances where the two dimensional measurement information is adequate in measurements, a third element is not used in the catalogue in terms of simplicity.

EF X MODULE SET							
CABINET NOMINAL WIDTH (cm)							
	30	40	50	60	70	80	
CABINET NOMINAL DEPTH(cm)	30	EFX MS 3030	EFX MS 4030	EFX MS 5030	EFX MS 6030	EFX MS 7030	EFX MS 8030
	40	EFX MS 3040	EFX MS 4040	EFX MS 5040	EFX MS 6040	EFX MS 7040	EFX MS 8040
	50	EFX MS 3050	EFX MS 4050	EFX MS 5050	EFX MS 6050	EFX MS 7050	EFX MS 8050
	60	EFX MS 3060	EFX MS 4060	EFX MS 5060	EFX MS 6060	EFX MS 7060	EFX MS 8060
	70	EFX MS 3070	EFX MS 4070	EFX MS 5070	EFX MS 6070	EFX MS 7070	EFX MS 8070
	80	EFX MS 3080	EFX MS 4080	EFX MS 5080	EFX MS 6080	EFX MS 7080	EFX MS 8080
	90	EFX MS 3090	EFX MS 4090	EFX MS 5090	EFX MS 6090	EFX MS 7090	EFX MS 8090
	100	EFX MS 30100	EFX MS 40100	EFX MS 50100	EFX MS 60100	EFX MS 70100	EFX MS 80100

EF X VERTICAL PROFILE SET				
CABINET NOMINAL HEIGHT(cm)				
140	160	180	200	220
EFX DP TK 140	EFX DP TK 160	EFX DP TK 180	EFX DP TK 200	EFX DP TK 220

EF X SERIES – VERTICAL PROFILE SET

VERTICAL PROFILE SET- INFORMATION

- **EF X** Vertical profile set consists of 4 pieces vertical profile and 4 pieces corner compounding set connecting these profiles to horizontal profiles. **EF X** Vertical profiles are uncoated.

EF X FIXED DOORS SK – UK

EFX FIXED DOORS SK							
CABINET NOMINAL WIDTH (CM)							
	30	40	50	60	70	80	
CABINET NOMINAL WIDTH (CM)	140	EFX SK 14030	EFX SK 14040	EFX SK 14050	EFX SK 14060	EFX SK 14070	EFX SK 14080
	160	EFX SK 16030	EFX SK 16030	EFX SK 16040	EFX SK 16060	EFX SK 16070	EFX SK 16080
	180	EFX SK 18030	EFX SK 18030	EFX SK 18040	EFX SK 18060	EFX SK 18070	EFX SK 18080
	200	EFX SK 20030	EFX SK 20030	EFX SK 20040	EFX SK 20060	EFX SK 20070	EFX SK 20080
	220	EFX SK 22030	EFX SK 22030	EFX SK 22040	EFX SK 22060	EFX SK 22070	EFX SK 22080

EF X FIXED DOORS- INFORMATION

- Panel right, left and rear fixed doors are represented with **EFX SK** and upper fixed doors are represented with **UK**. Resistance of fixed doors are increased with custom crushing type bending and form moulds. **EFX** series fixed doors are non-sealed.
- **UK** coded doors are inside the module set and are same as Ef series. There is no need for external order except for spare part need.

EF X FRONT DOORS - EF X OK

FRONT DOOR- INFORMATION

- EF series front doors are represented with **EFX OK** code. doors are equipped with swing handle type lock mechanism and locked from 4 points. It is supported with required profiles from the inner surface to prevent undesired expansions.
- Double system doors, filtered doors, glass type doors are not included in **EFX** series.

EFX SERIES FRONT DOORS – EFX OK							
CABINET NOMINAL WIDTH MEASURES – (cm)							
	30	40	50	60	70	80	
CABINET NOMINAL HEIGHT (cm)	140	EFX OK 14030	EFX OK 14040	EFX OK 14050	EFX OK 14060	EFX OK 14070	EFX OK 14080
	160	EFX OK 16030	EFX OK 16040	EFX OK 16050	EFX OK 16060	EFX OK 16070	EFX OK 16080
	180	EFX OK 18030	EFX OK 20040	EFX OK 20050	EFX OK 20060	EFX OK 20070	EFX OK 20080
	200	EFX OK 20030	EFX OK 20040	EFX OK 20050	EFX OK 20060	EFX OK 20070	EFX OK 20080
	220	EFX OK 22030	EFX OK 22040	EFX OK 22050	EFXOK 22060	EFX OK 22070	EFX OK 22080

EF X GENERAL - EFX GNL BOL PRF TK

EFX GENERAL INFORMATION

- General is performed with profiles and fixation inside **EFX GNL BOL PRF TK**. Front cover is optional. **(BOL OP)**. The only difference from EF partitioning profiles is that EF X profiles are uncoated.
- 2 different door application can be implemented in the cabinet during the general partitioning application.
- Minimum partial area width is 30 cm. Top measures vary in 10 cm ranges.
- **OP 20** and top measure cover plates can be applied. Cabinet width sizes are between 30cm-80cm in EF X series.

EF X GENERAL SET -EF X GNL BOL PRF TK CABINET NOMINAL HEIGHT (cm)				
140	160	180	200	220
EFX GNL BOL PRF TK 140	EFX GNL BOL PRF TK 160	EFX GNL BOL PRF TK 180	EFX GNL BOL PRF TK 200	EFX GNL BOL PRF TK 220

EF X CABINET - EFX KBN BOL PRF TK

EFX CABINET INFORMATION

- General is performed with profiles and fixation inside **EFX KBN BOL PRF TK**. Front cover is optional. **(BOL OP)**
- 2 different door application cannot be implemented in the same cabinet during the cabinet application.
- Minimum partitioning area width is 25 cm. Top measures vary in 5 cm ranges.
- In cabinet partitioning application, cover plate application cannot be applied. Partitioning pieces are uncoated.
- Partitioning cover plates are in the same structure both for the cabinet and general partitioning.

EFX CABINET PARTITIONING SET -EFX KBN BOL PRF TK CABINET NOMINAL HEIGHT (cm)				
140	160	180	200	220
EFX KBN BOL PRF TK 140	EFX KBN BOL PRF TK 160	EFX KBN BOL PRF TK 180	EFX KBN BOL PRF TK 200	EFX KBN BOL PRF TK 220

EFX PARTITIONING COVER PLATE SET -EFX BOL OP CABINET NOMINAL HEIGHT (cm)				
140	160	180	200	220
EFX BOL OP 14015	EFX BOL OP 16015	EFX BOL OP 18015	EFX BOL OP 20015	EFX BOL OP 22015
EFX BOL OP 14020	EFX BOL OP 16020	EFX BOL OP 18020	EFX BOL OP 20020	EFX BOL OP 22020
EFX BOL OP 14025	EFX BOL OP 16025	EFX BOL OP 18025	EFX BOL OP 20025	EFX BOL OP 22025

EF X SERIES- MOUNTING PLATES – EF X MP TK

EF X MOUNTING PLATE SET INFORMATION

- Mounting plate set consists of pieces with **EF MP** and **EF MP PRF** codes.
- If there is a need for depth adjustment, it is fixed with pieces coded as **EF MP TYC PRF**, **MC PRF** and **MD PRF**.
- Mounting plate is produced from 1,5 mm galvanized sheet. bending depth is 24 mm.
- First number in the coding defines the nominal height measure meanwhile the latter defines the nominal width measure.
- **EF MP 20060** plate in the picture is the biggest measure to be used with a panel measuring Y-2050 G-600 D -600.
- Measures of mounting plate set broadens and shrinks in the range of 100 mm.

EF X MP TK MEASURES – CABINET NOMINAL HEIGHT CM						
		140	160	180	200	220
CABINET NOMINAL DEPTH (cm)	30	EFX MP TK 14030	EFX MP TK 16030	EFX MP TK 18030	EFX MP TK 20030	EFX MP TK 22030
	40	EFX MP TK 14040	EFX MP TK 16040	EFX MP TK 18040	EFX MP TK 20040	EFX MP TK 22040
	50	EFX MP TK 14050	EFX MP TK 16050	EFX MP TK 18050	EFX MP TK 20050	EFX MP TK 22050
	60	EFX MP TK 14060	EFX MP TK 16060	EFX MP TK 18060	EFX MP TK 20060	EFX MP TK 22060
	70	EFX MP TK 14070	EFX MP TK 16070	EFX MP TK 18070	EFX MP TK 22070	EFX MP TK 22070
	80	EFX MP TK 14080	EFX MP TK 16080	EFX MP TK 18080	EFX MP TK 20080	EFX MP TK 22080
	90	EFX MP TK 140100	EFX MP TK 160100	EFX MP TK 180100	EFX MP TK 200100	EFX MP TK 220100
	100	EFX MP TK 140120	EFX MP TK 160120	EFX MP TK 180120	EFX MP TK 200120	EFX MP TK 220120

EF H SERIES - GENERAL

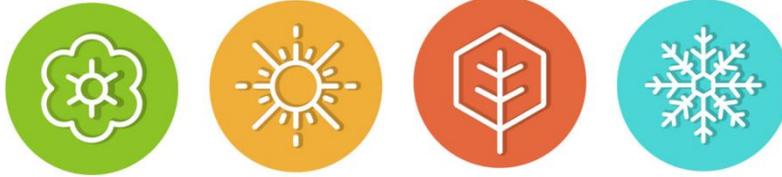


EF H Series ;

are standing type low voltage electrical panels in modular structure with high-strength to external application conditions that offers flexible design solutions and mountability to you in your projects.

According to area of usage;

It provides cover plate, bottom plate mounting, vertical and horizontal bar mounted, rail type device, screw-type device mounting and coupling application combinations with a safe, standard access. It is fit for use in IP 65 level with its modular structure. Its protection level can be increased to IP 66 level with welding addition.



EF H SERIES –USAGE AREAS



- MPCC - Main distribution control center
- PCC- Power control center
- RPCC- Reactive power control center
- WRPCC - Cabinet reactive power control center
- MC- Meter and measurement applications
- MCC - Motor control center applications
- BMS- Building control system applications

EF H SERIES– TECHNICAL SPECIFICATIONS

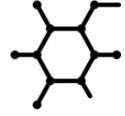


- Area of usage : Outside type
- Nominal operating voltage : 400 V AC 690 V AC
- Nominal insulation voltage : 1000 V
- Nominal impact resistance voltage : 12 kV
- Main operating current : Up to 5000 Ampere
- Nominal Peak Resistance voltage : 220 kA
- Nominal frequency : 50 Hz
- Nominal degree of protection : Up to IP 65-IP 66
- Nominal mechanical impact code : IK10
- Coat : Electrostatics powder coat
- Coat color : RAL 7035 (std)
- Level of pollution : 3 (III a)
- Cooling type : Natural

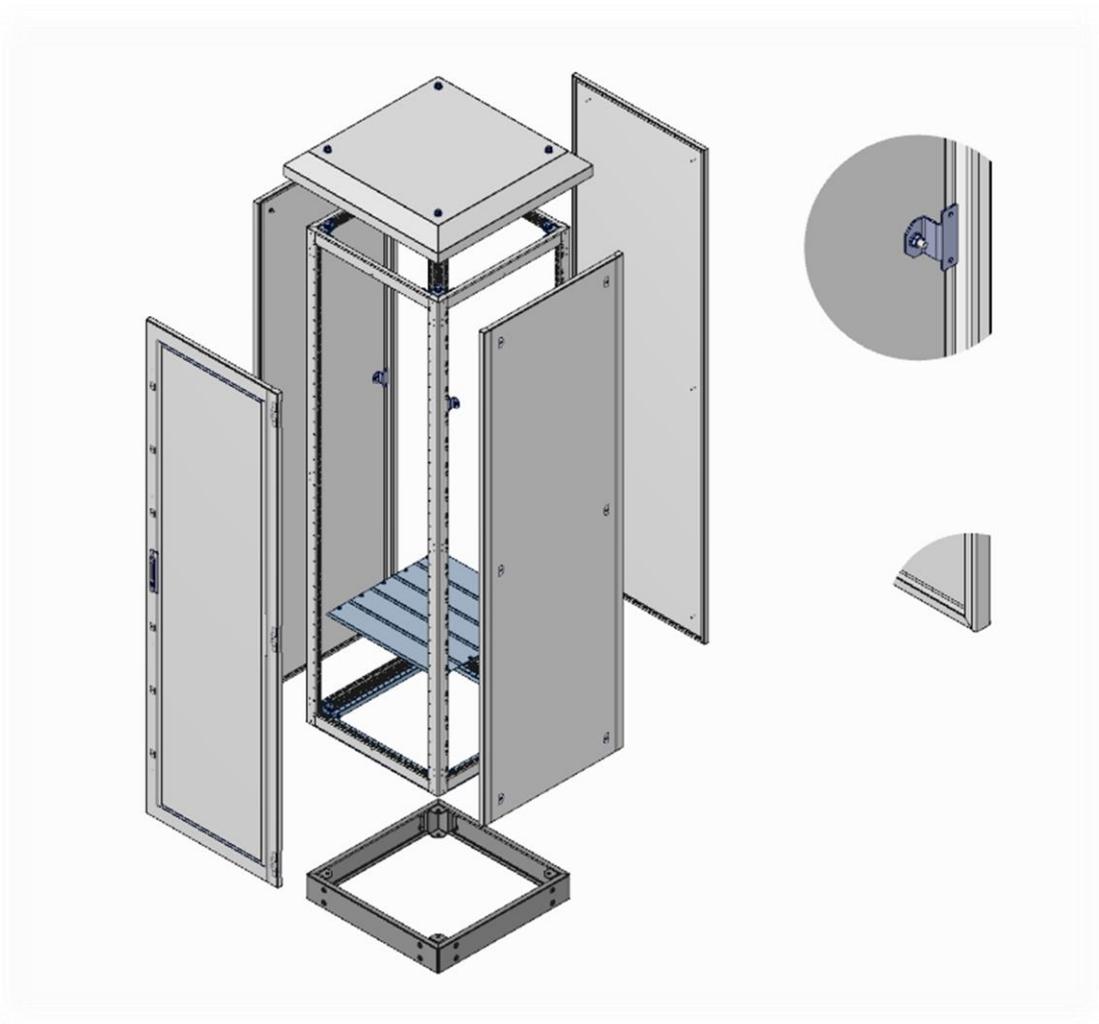
EF H SERIES- CERTIFICATIONS



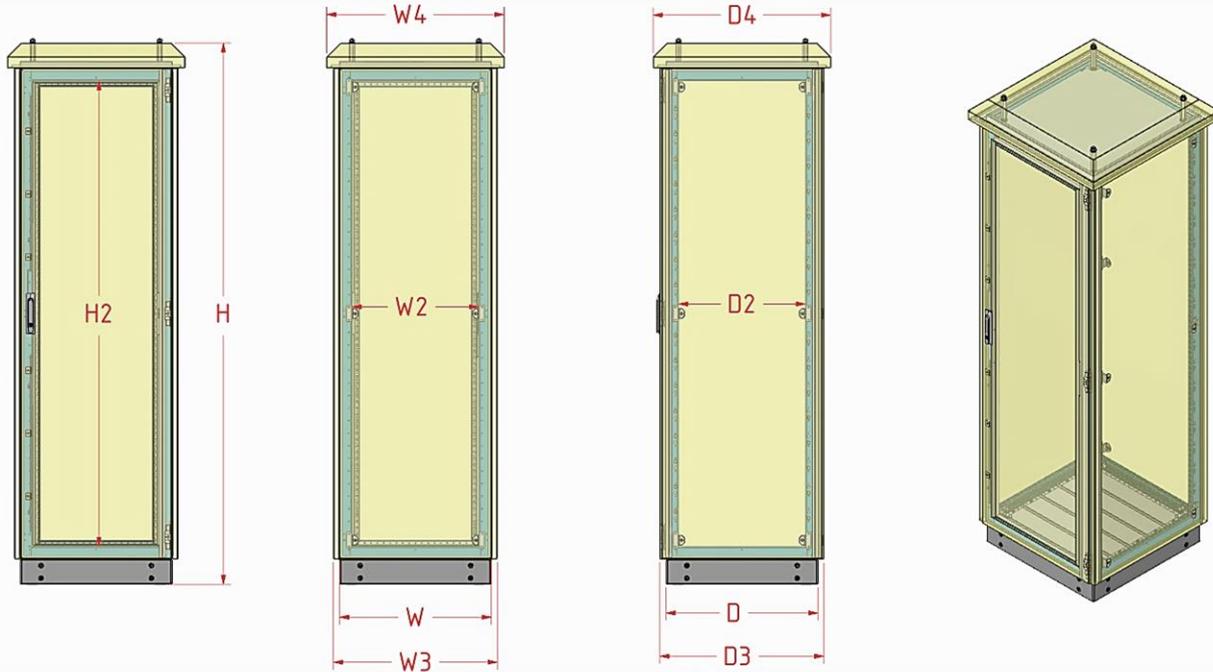
- Gost-R : Conformity for Russian market
- Domestic production certificate : ISO and TOBB attestation
- ISO 45001 :2018 : Criteria for occupation, production and safety.
- ISO 9001 : 2015 : Quality management
- ISO 14001 : 2015 : Environment management system
- IEC 61641 : Internal arc control and durability
- CE : Conformity for European market
- TS EN 62208 : AG. switching and control system empty enclosure
- IEC 60068-2-3 Empty panel : Earthquake resistance measurement
- IEC 60068-2-3 Mounted panel : Earthquake resistance measurement

EF H SERIES – CABINET STRUCTURE

- Frame compounding : Custom form 4 mm corner member
- Frame : 2 mm section coated galvanized profile
- Interior mounting profiles : 2 mm section galvanized profile
- Front covers : 1,5 mm section DKP sheet
- Side-rear covers : 1,5 mm section DKP sheet- cast sealed
- Upper covers : 1,5 mm section DKP sheet- cast sealed
- Base conveyor : 4 mm section DKP sheet (2mm+2mm foliated application)
- Base covers : 1,5 mm section DKP sheet
- Bottom cover sheet metal : 1,2 mm galvanized sheet
- Lock type : Four-point fixed swing handle lock



EF H SERIES- MEASUREMENTS



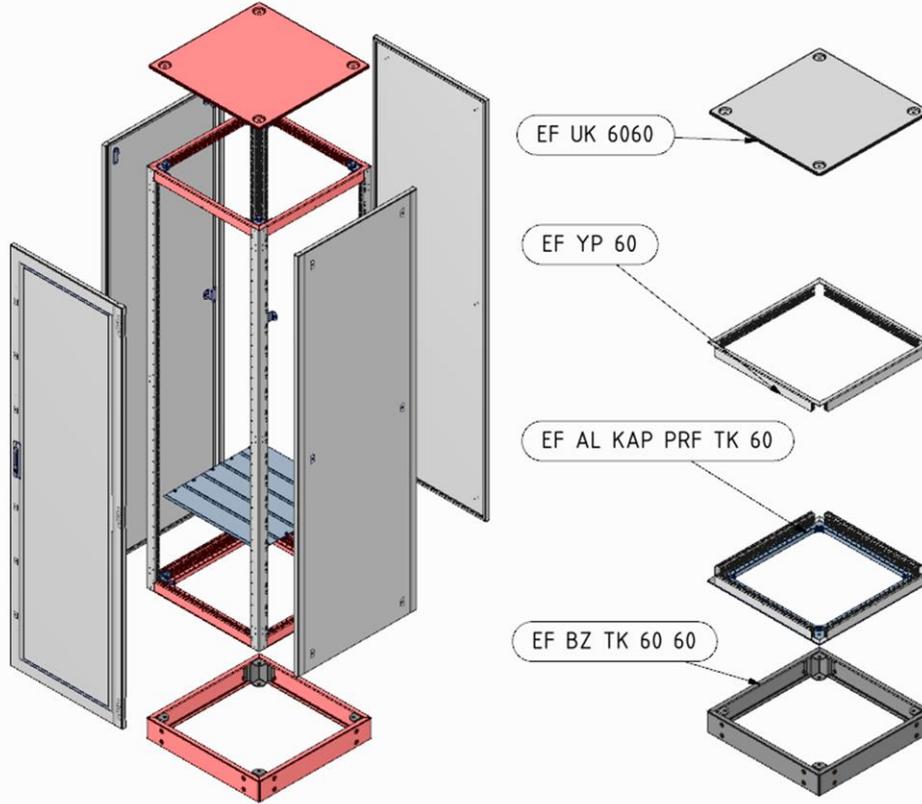
EF H SERIES Measurements - mm

H	H2	W	W2	W3	W4	D	D2	D3	D4
1550	1350	300	200	345	400	300	200	345	400
1750	1550	400	300	445	500	400	300	445	500
1950	1750	500	400	545	600	500	400	545	600
2150	1950	600	500	645	700	600	500	645	700
2350	2150	700	600	745	800	700	600	745	800
		800	700	845	900	800	700	845	900
		900	800	945	1000	900	800	945	1000
		1000	900	1045	1100	1000	900	1045	1100

EF H SERIES MEASUREMENT- Information

- Area of usage defines the remaining area size for needs such as cover plate, switch material and bar layout, etc. left in the inner area after the panel frame profiles.
- H** : Height **H2**: Vertical inner area of usage **W** : Width **W2**: Horizontal inner area of usage **W3**: EF H fixed cover width **W4**: Roof width size **D** :Depth **D2**: Depth inner area of usage **D3**: EF H depth with rear cover **D4** : EF H depth with rear cover **D2** : Depth inner area of usage
- Measures of the panel in the image is indicated with red.
- In case of custom measurement request not included in this list, please consult to our company.
- Order of measurement in the catalogue is indicated as **1**-Height **2**-Width **3**-Depth
- All covers in EF H series are sealed.

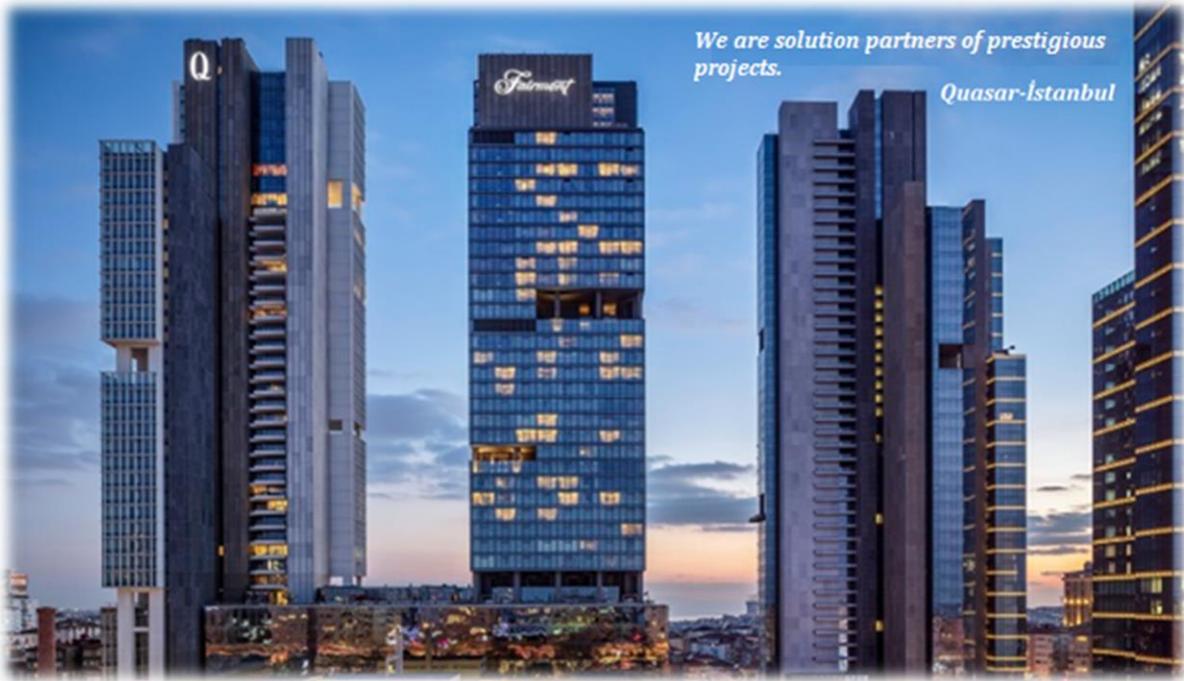
EF H SERIES – MODULE SET



EF H MODULE SET										
CABINET NOMINAL WIDTH (cm)										
	30	40	50	60	70	80	90	100	120	
CABINET NOMINAL WIDTH (cm)	30	EFH MS 3030	EFH MS 4030	EFH MS 5030	EFH MS 6030	EFH MS 7030	EFH MS 8030	EFH MS 9030	EFH MS 10030	EFH MS 12030
	40	EFH MS 3040	EFH MS 4040	EFH MS 5040	EFH MS 6040	EFH MS 7040	EFH MS 8040	EFH MS 9040	EFH MS 10040	EFH MS 12040
	50	EFH MS 3050	EFH MS 4050	EFH MS 5050	EFH MS 6050	EFH MS 7050	EFH MS 8050	EFH MS 9050	EFHMS 10050	EFH MS 12050
	60	EFH MS 3060	EFH MS 4060	EFH MS 5060	EFH MS 6060	EFH MS 7060	EFH MS 8060	EFH MS 9060	EFH MS 10060	EFH MS 12060
	70	EFH MS 3070	EFH MS 4070	EFH MS 5070	EFH MS 6070	EFH MS 7070	EFH MS 8070	EFH MS 9070	EFH MS 10070	EFH MS 12070
	80	EFH MS 3080	EFH MS 4080	EFH MS 5080	EFH MS 6080	EFH MS 7080	EFH MS 8080	EFH MS 9080	EFH MS 10080	EFH MS 12080
	90	EFH MS 3090	EFH MS 4090	EFH MS 5090	EFH MS 6090	EFH MS 7090	EFH MS 8090	EFH MS 9090	EFH MS 10090	EFHMS 12090
	100	EFH MS 30100	EFH MS 40100	EFH MS 50100	EFH MS 60100	EFH MS 70100	EFH MS 80100	EFH MS 90100	EFH MS100100	EFH MS 120100
	120	EFH MS 30120	EFH MS 40120	EFH MS 50120	EFH MS 60120	EFH MS 70120	EFH MS 80120	EFH MS 90120	EFH MS100120	EFH MS 120120

EF H MODULE SET- INFORMATION

- In the ordering of EF H series panels, the first step is the selection of module set.
- Module set consists of the pieces of standard base **EF BZ KP**, bottom cover profile **EF AL KAP PRF**, horizontal frame profiles **EF YP** and fixed upper cover **EF UK**. Bottom cover plates are sold externally.
- Module set in the sample picture is the module set with the code of **EF H MS 6060**. Numbers of "0606" defines 60 cm height and 60 cm width.
- As the depth is not a parameter in these pieces, it is not specified.
- In circumstances where the two dimensional measurement information is adequate in measurements, a third element is not used in the catalogue in terms of simplicity. Roof module is sold externally.



EF H SERIES – BOTTOM COVER SET

BOTTOM COVER SET - INFORMATION

- Bottom cover sets consists of **EF H AL KAP PRF** profiles, **EF H ALT KAP PLK** sheet metals and **EF AL KP PLS** corner plastics.
- Sheet covers are not for the purpose of conveying, it should not be stepped on and put heavy lifts!
- In **EF H** series, liquid gasket is applied between the sheet metals. Product sizes are same as **EF** series.

EF BOTTOM COVER SET - EF AL KP TK										
CABINET NOMINAL WIDTH (cm)										
	30	40	50	60	70	80	90	100	120	
CABINET NOMINAL DEPTH (cm)	30	EFH AL KAP PLK TK 3030	EFH AL KAP PLK TK 4030	EFH AL KAP PLK TK 5030	EFH AL KAP PLK TK 6030	EFH AL KAP PLK TK 7030	EFH AL KAP PLK TK 8030	EFH AL KAP PLK TK 9030	EFH AL PLK TK KAP10030	EFH AL PLK TK KAP12030
	40	EFH AL KAP PLK TK 3040	EFH AL KAP PLK TK 4040	EFH AL KAP PLK TK 5040	EFH AL KAP PLK TK 6040	EFH AL KAP PLK TK 7040	EFH AL KAP PLK TK 8040	EFH AL KAP PLK TK 9040	EFH AL PLK TK KAP10040	EFH AL PLK TK KAP12040
	50	EFH AL KAP PLK TK 3050	EFH AL KAP PLK TK 4050	EFH AL KAP PLK TK 5050	EFH AL KAP PLK TK 6050	EFH AL KAP PLK TK 7050	EFH AL KAP PLK TK 8050	EFH AL KAP PLK TK 9050	EFH AL PLK TK KAP10050	EFH AL PLK TK KAP12050
	60	EFH AL KAP PLK TK 3060	EFH AL KAP PLK TK 4060	EFH AL KAP PLK TK 5060	EFH AL KAP PLK TK 6060	EFH AL KAP PLK TK 7060	EFH AL KAP PLK TK 8060	EFH AL KAP PLK TK 9060	EFH AL PLK TK KAP10060	EFH AL PLK TK KAP12060
	70	EFH AL KAP PLK TK 3070	EFH AL KAP PLK TK 4070	EFH AL KAP PLK TK 5070	EFH AL KAP PLK TK 6070	EFH AL KAP PLK TK 7070	EFH AL KAP PLK TK 8070	EFH AL KAP PLK TK 9070	EFH AL PLK TK KAP10070	EFH AL PLK TK KAP12070
	80	EFH AL KAP PLK TK 3080	EFH AL KAP PLK TK 4080	EFH AL KAP PLK TK 5080	EFH AL KAP PLK TK 6080	EFH AL KAP PLK TK 7080	EFH AL KAP PLK TK 8080	EFH AL KAP PLK TK 9080	EFH AL PLK TK KAP10080	EFH AL PLK TK KAP12080
	90	EFH AL KAP PLK TK 3090	EFH AL KAP PLK TK 4090	EFH AL KAP PLK TK 5090	EFH AL KAP PLK TK 6090	EFH AL KAP PLK TK 7090	EFH AL KAP PLK TK 8090	EFH AL KAP PLK TK 9090	EFH AL PLK TK KAP10090	EFH AL PLK TK KAP12090
	100	EFH AL KAP PLK TK 30100	EFH AL KAP PLK TK 40100	EFH AL KAP PLK TK 50100	EFH AL KAP PLK TK 60100	EFH AL KAP PLK TK 70100	EFH AL KAP PLK TK 80100	EFH AL KAP PLK TK 90100	EFH AL PLK TK KAP 100100	EFH AL KAP TK 120100
	120	EFH AL KAP PLK TK 30120	EFH AL KAP PLK TK 40120	EFH AL KAP PLK TK 50120	EFH AL KAP PLK TK 60120	EFH AL KAP PLK TK 70120	EFH AL KAP PLK TK 80120	EFH AL KAP PLK TK 90120	EFH AL PLK TK KAP 100120	EFH AL KAP TK 120120

EF H SERIES – VERTICAL PROFILE SET

➤ VERTICAL PROFILE SET - INFORMATION

- Vertical profile set consists of 4 pieces vertical profile and 4 pieces corner compounding set connecting these profiles to horizontal profiles. **EF H** Vertical profiles are coated over galvanized sheet.

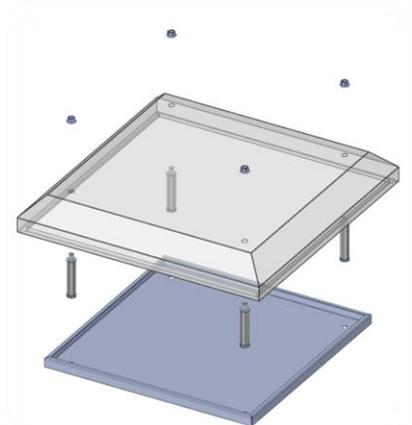
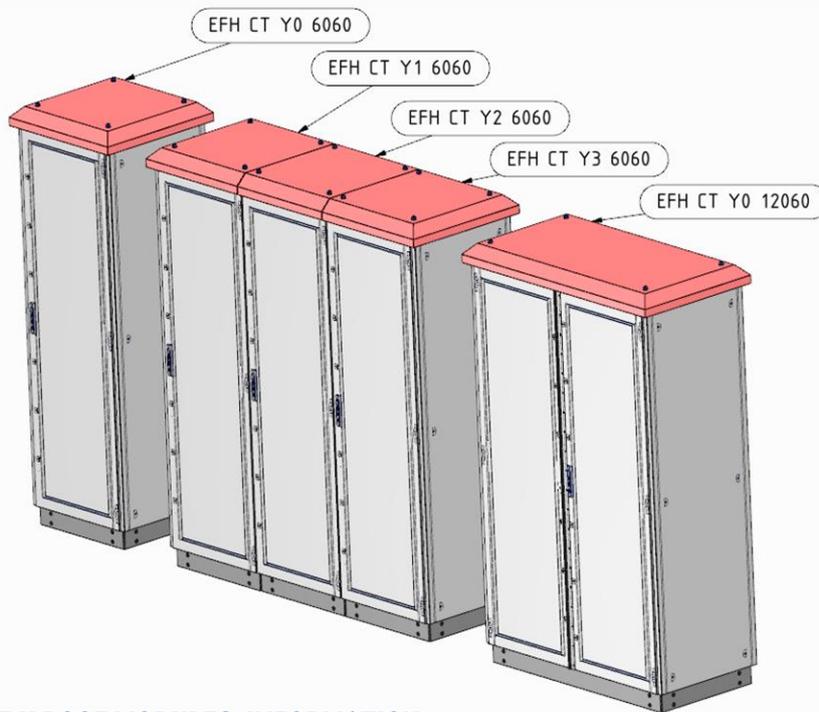
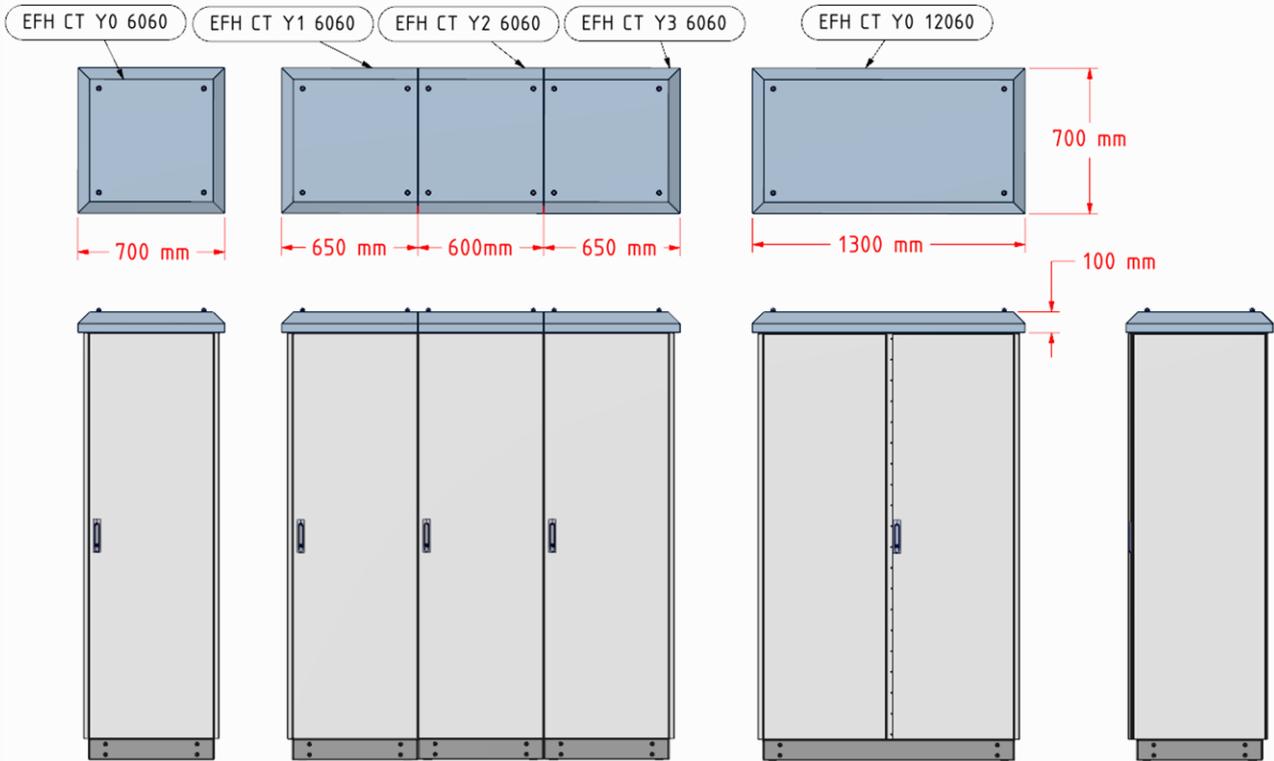
EF H VERTICAL PROFILE SET				
CABINET NOMINAL HIGHT (cm)				
140	160	180	200	220
EFH DP TK 140	EFH DP TK 160	EFH DP TK 180	EFH DP TK 200	EFH DP TK 220

EF H SERIES– MOUNTING PROFILES

EF H MOUNTING PROFILES INFORMATION

- Profiles with **ME** code are produced from 3 mm galvanized sheet metal.
- Compensation profiles with **MF** code are produced from 1,5 mm galvanized sheet metal. Other profiles are 2 mm galvanized.
- Profiles with **MF** and **MB** codes are mounted with joint fixing. Product features and codes are same as **EF** series.

EF H SERIES- ROOF MODULES - EF H CT Y



EF H ROOF MODULES- INFORMATION

➤ **Y0** - Single roof **Y1**- Left roof **Y2**- Middle roof **Y3** -Right roof block.

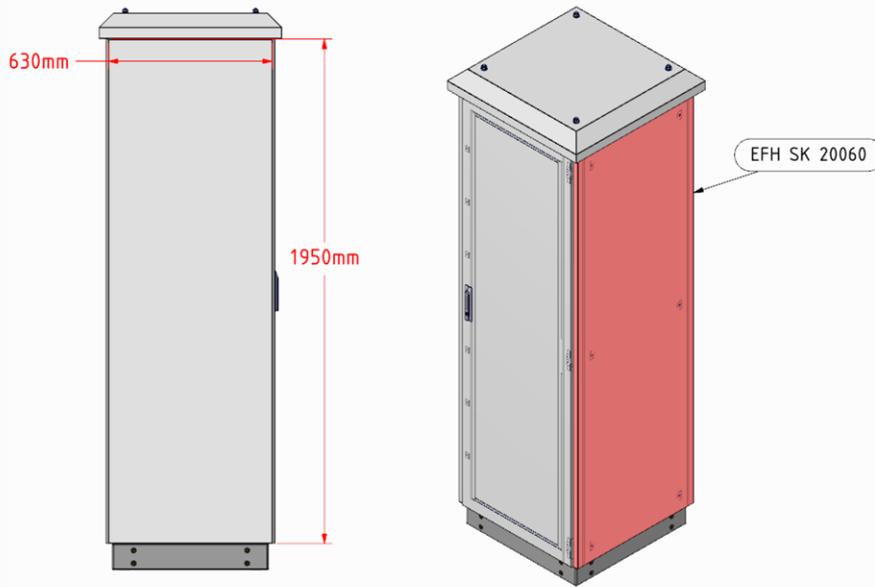
EF H SERIES ROOF MODULES – EF H CT YO – SINGLE ROOF										
CABINET NOMINAL WIDTH (cm)										
CABINET NOMINAL DEPTH (cm)		30	40	50	60	70	80	90	100	120
	30	EFH CT YO 3030	EFH CT YO 4030	EFH CT YO 5030	EFH CT YO 6030	EFH CT YO 7030	EFH CT YO 8030	EFH CT YO 9030	EFH CT YO 10030	EFH CT YO 12030
	40	EFH CT YO 3040	EFH CT YO 4040	EFH CT YO 5040	EFH CT YO 6040	EFH CT YO 7040	EFH CT YO 8040	EFH CT YO 9040	EFH CT YO 10040	EFH CT YO 12040
	50	EFH CT YO 3050	EFH CT YO 4050	EFH CT YO 5050	EFH CT YO 6050	EFH CT YO 7050	EFH CT YO 8050	EFH CT YO 9050	EFH CT YO 10050	EFH CT YO 12050
	60	EFH CT YO 3060	EFH CT YO 4060	EFH CT YO 5060	EFH CT YO 6060	EFH CT YO 7060	EFH CT YO 8060	EFH CT YO 9060	EFH CT YO 10060	EFH CT YO 12060
	70	EFH CT YO 3070	EFH CT YO 4070	EFH CT YO 5070	EFH CT YO 6070	EFH CT YO 7070	EFH CT YO 8070	EFH CT YO 9070	EFH CT YO 10070	EFH CT YO 12070
	80	EFH CT YO 3080	EFH CT YO 4080	EFH CT YO 5080	EFH CT YO 6080	EFH CT YO 7080	EFH CT YO 8080	EFH CT YO 9080	EFH CT YO 10080	EFH CT YO 12080
	90	EFH CT YO 3090	EFH CT YO 4090	EFH CT YO 5090	EFH CT YO 6090	EFH CT YO 7090	EFH CT YO 8090	EFH CT YO 9090	EFH CT YO 10090	EFH CT YO 12090
	100	EFH CT YO 30100	EFH CT YO 40100	EFH CT YO 50100	EFH CT YO 60100	EFH CT YO 70100	EFH CT YO 80100	EFH CT YO 90100	EFH CT YO 100100	EFH CT YO 120100
	120	EFH CT YO 30120	EFH CT YO 40120	EFH CT YO 50120	EFH CT YO 60120	EFH CT YO 70120	EFH CT YO 80120	EFH CT YO 90120	EFH CT YO 100120	EFH CT YO 120120

EF H SERIES ROOF MODULES – EF H CT Y1 – LEFT ROOF										
CABINET NOMINAL WIDTH (cm)										
CABINET NOMINAL DEPTH (cm)		30	40	50	60	70	80	90	100	120
	30	EFH CT Y1 3030	EFH CT Y1 4030	EFH CT Y1 5030	EFH CT Y1 6030	EFH CT Y1 7030	EFH CT Y1 8030	EFH CT Y1 9030	EFH CT Y1 10030	EFH CT Y1 12030
	40	EFH CT Y1 3040	EFH CT Y1 4040	EFH CT Y1 5040	EFH CT Y1 6040	EFH CT Y1 7040	EFH CT Y1 8040	EFH CT Y1 9040	EFH CT Y1 10040	EFH CT Y1 12040
	50	EFH CT Y1 3050	EFH CT Y1 4050	EFH CT Y1 5050	EFH CT Y1 6050	EFH CT Y1 7050	EFH CT Y1 8050	EFH CT Y1 9050	EFH CT Y1 10050	EFH CT Y1 12050
	60	EFH CT Y1 3060	EFH CT Y1 4060	EFH CT Y1 5060	EFH CT Y1 6060	EFH CT Y1 7060	EFH CT Y1 8060	EFH CT Y1 9060	EFH CT Y1 10060	EFH CT Y1 12060
	70	EFH CT Y1 3070	EFH CT Y1 4070	EFH CT Y1 5070	EFH CT Y1 6070	EFH CT Y1 7070	EFH CT Y1 8070	EFH CT Y1 9070	EFH CT Y1 10070	EFH CT Y1 12070
	80	EFH CT Y1 3080	EFH CT Y1 4080	EFH CT Y1 5080	EFH CT Y1 6080	EFH CT Y1 7080	EFH CT Y1 8080	EFH CT Y1 9080	EFH CT Y1 10080	EFH CT Y1 12080
	90	EFH CT Y1 3090	EFH CT Y1 4090	EFH CT Y1 5090	EFH CT Y1 6090	EFH CT Y1 7090	EFH CT Y1 8090	EFH CT Y1 9090	EFH CT Y1 10090	EFH CT Y1 12090
	100	EFH CT Y1 30100	EFH CT Y1 40100	EFH CT Y1 50100	EFH CT Y1 60100	EFH CT Y1 70100	EFH CT Y1 80100	EFH CT Y1 90100	EFH CT Y1 100100	EFH CT Y1 120100
	120	EFH CT Y1 30120	EFH CT Y1 40120	EFH CT Y1 50120	EFH CT Y1 60120	EFH CT Y1 70120	EFH CT Y1 80120	EFH CT Y1 90120	EFH CT Y1 100120	EFH CT Y1 120120

EF H SERIES ROOF MODULES – EF H CT Y2 – MIDDLE ROOF										
CABINET NOMINAL WIDTH (cm)										
		30	40	50	60	70	80	90	100	120
CABINET NOMINAL DEPTH (cm)	30	EFH CT Y2 3030	EFH CT Y2 4030	EFH CT Y2 5030	EFH CT Y2 6030	EFH CT Y2 7030	EFH CT Y2 8030	EFH CT Y2 9030	EFH CT Y2 10030	EFH CT Y2 12030
	40	EFH CT Y2 3040	EFH CT Y2 4040	EFH CT Y2 5040	EFH CT Y2 6040	EFH CT Y2 7040	EFH CT Y2 8040	EFH CT Y2 9040	EFH CT Y2 10040	EFH CT Y2 12040
	50	EFH CT Y2 3050	EFH CT Y2 4050	EFH CT Y2 5050	EFH CT Y2 6050	EFH CT Y2 7050	EFH CT Y2 8050	EFH CT Y2 9050	EFH CT Y2 10050	EFH CT Y2 12050
	60	EFH CT Y2 3060	EFH CT Y2 4060	EFH CT Y2 5060	EFH CT Y2 6060	EFH CT Y2 7060	EFH CT Y2 8060	EFH CT Y2 9060	EFH CT Y2 10060	EFH CT Y2 12060
	70	EFH CT Y2 3070	EFH CT Y2 4070	EFH CT Y2 5070	EFH CT Y2 6070	EFH CT Y2 7070	EFH CT Y2 8070	EFH CT Y2 9070	EFH CT Y2 10070	EFH CT Y2 12070
	80	EFH CT Y2 3080	EFH CT Y2 4080	EFH CT Y2 5080	EFH CT Y2 6080	EFH CT Y2 7080	EFH CT Y2 8080	EFH CT Y2 9080	EFH CT Y2 10080	EFH CT Y2 12080
	90	EFH CT Y2 3090	EFH CT Y2 4090	EFH CT Y2 5090	EFH CT Y2 6090	EFH CT Y2 7090	EFH CT Y2 8090	EFH CT Y2 9090	EFH CT Y2 10090	EFH CT Y2 12090
	100	EFH CT Y2 30100	EFH CT Y2 40100	EFH CT Y2 50100	EFH CT Y2 60100	EFH CT Y2 70100	EFH CT Y2 80100	EFH CT Y2 90100	EFH CT Y2 100100	EFH CT Y2 120100
	120	EFH CT Y2 30120	EFH CT Y2 40120	EFH CT Y2 50120	EFH CT Y2 60120	EFH CT Y2 70120	EFH CT Y2 80120	EFH CT Y2 90120	EFH CT Y2 100120	EFH CT Y2 120120

EF H SERIES ROOF MODULES – EF H CT Y3 – RIGHT ROOF										
CABINET NOMINAL WIDTH (cm)										
		30	40	50	60	70	80	90	100	120
CABINET NOMINAL DEPTH (cm)	30	EFH CT Y3 3030	EFH CT Y3 4030	EFH CT Y3 5030	EFH CT Y3 6030	EFH CT Y3 7030	EFH CT Y3 8030	EFH CT Y3 9030	EFH CT Y3 10030	EFH CT Y3 12030
	40	EFH CT Y3 3040	EFH CT Y3 4040	EFH CT Y3 5040	EFH CT Y3 6040	EFH CT Y3 7040	EFH CT Y3 8040	EFH CT Y3 9040	EFH CT Y3 10040	EFH CT Y3 12040
	50	EFH CT Y3 3050	EFH CT Y3 4050	EFH CT Y3 5050	EFH CT Y3 6050	EFH CT Y3 7050	EFH CT Y3 8050	EFH CT Y3 9050	EFH CT Y3 10050	EFH CT Y3 12050
	60	EFH CT Y3 3060	EFH CT Y3 4060	EFH CT Y3 5060	EFH CT Y3 6060	EFH CT Y3 7060	EFH CT Y3 8060	EFH CT Y3 9060	EFH CT Y3 10060	EFH CT Y3 12060
	70	EFH CT Y3 3070	EFH CT Y3 4070	EFH CT Y3 5070	EFH CT Y3 6070	EFH CT Y3 7070	EFH CT Y3 8070	EFH CT Y3 9070	EFH CT Y3 10070	EFH CT Y3 12070
	80	EFH CT Y3 3080	EFH CT Y3 4080	EFH CT Y3 5080	EFH CT Y3 6080	EFH CT Y3 7080	EFH CT Y3 8080	EFH CT Y3 9080	EFH CT Y3 10080	EFH CT Y3 12080
	90	EFH CT Y3 3090	EFH CT Y3 4090	EFH CT Y3 5090	EFH CT Y3 6090	EFH CT Y3 7090	EFH CT Y3 8090	EFH CT Y3 9090	EFH CT Y3 10090	EFH CT Y3 12090
	100	EFH CT Y3 30100	EFH CT Y3 40100	EFH CT Y3 50100	EFH CT Y3 60100	EFH CT Y3 70100	EFH CT Y3 80100	EFH CT Y3 90100	EFH CT Y3 100100	EFH CT Y3 120100
	120	EFH CT Y3 30120	EFH CT Y3 40120	EFH CT Y3 50120	EFH CT Y3 60120	EFH CT Y3 70120	EFH CT Y3 80120	EFH CT Y3 90120	EFH CT Y3 100120	EFH CT Y3 120120

EF H SERIES FIXED COVERS -EF H SK

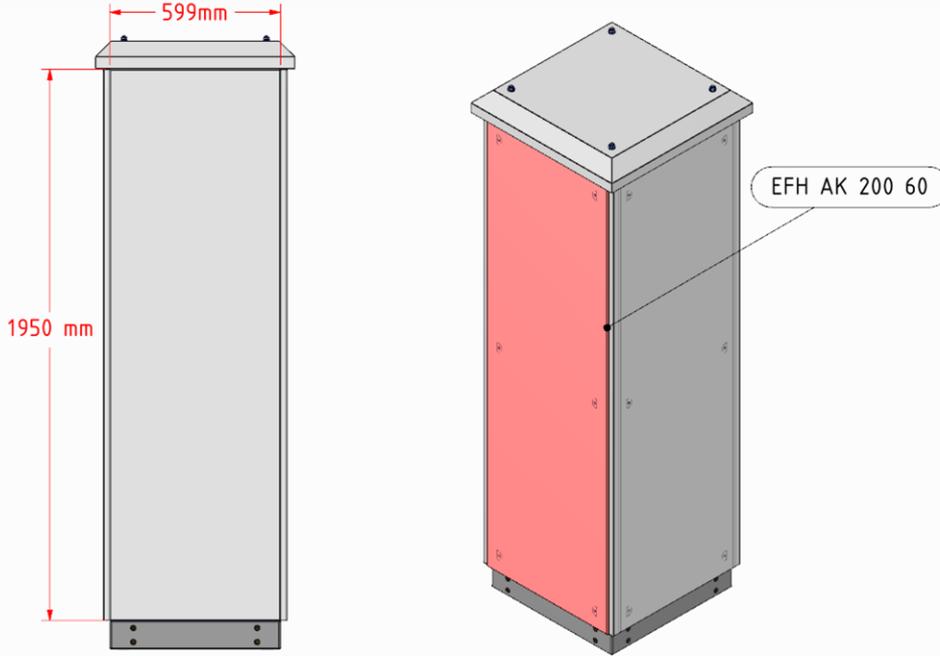


EF FIXED DOORS INFORMATION

- Panel right and left fixed doors **EFH SK** are represented with **UK**. Resistance of fixed doors are increased with bending and form moulds. **EFH** series fixed doors are sealed and include custom additional bending.
- **UK** coded doors are inside the module set and same as **EF** series. There is no need for external order except for spare part need. **UK** is not used if roof module is selected.

EF H FIXED DOORS -SK										
CABINET NOMINAL WIDTH (CM)										
		30	40	50	60	70	80	90	100	120
CABINET NOMINAL HEIGHT (cm)	140	EFH SK 14030	EFH SK 14040	EFH SK 14050	EFH SK 14060	EFH SK 14070	EFH SK 14080	EFH SK 14090	EFH SK 140100	EFH SK 140120
	160	EFH SK 16030	EFH SK	EFH SK 16050	EFH SK 16060	EFH SK 16070	EFH SK 16080	EFH SK 16090	EFH SK 160100	EFH SK 160120
	180	EFH SK 18030	EFH SK 18040	EFH SK 18050	EFH SK 18060	EFH SK 18070	EFH SK 18080	EFH SK 18090	EFH SK 180100	EFH SK 180120
	200	EFH SK 20030	EFH SK 20040	EFH SK 20050	EFH SK 20060	EFH SK 20070	EFH SK 20080	EFH SK 20090	EFH SK 200100	EFH SK 200120
	220	EFH SK 22030	EFH SK 22040	EFH SK 22050	EFH SK 22060	EFH SK 22070	EFH SK 22080	EFH SK 22090	EFH SK 220100	EFH SK 200120

EF H SERIES FIXED REAR COVERS-EFH AK



EF H REAR COVERS- INFORMATION

- Panel rear covers are represented with **EFH AK** code. **EFH** series rear covers are sealed and include custom additional bending to improve water and dust protection

EF H FIXED REAR COVER- EFH AK										
CABINET NOMINAL WIDTH (CM)										
		30	40	50	60	70	80	90	100	120
CABINET NOMINAL HEIGHT (cm)	140	EFH AK 14030	EFH SK 14040	EFH AK 14050	EFH AK 14060	EFH AK 14070	EFH AK 14080	EFH AK 14090	EFH AK 140100	EFH AK 140120
	160	EFH AK 16030	EFH AK 16040	EFH AK 16050	EFH AK 16060	EFH AK 16070	EFH AK 16080	EFH AK 16090	EFH AK 160100	EFH AK 160120
	180	EFH AK 18030	EFA AK 18040	EFH AK 18050	EFH AK 18060	EFH AK 18070	EFH AK 18080	EFH AK 18090	EFH AK 180100	EFH AK 180120
	200	EFH AK 20030	EFA AK 20040	EFH AK 20050	EFH AK 20060	EFH AK 20070	EFH AK 20080	EFH AK 20090	EFH AK 200100	EFH AK 200120
	220	EFH AK 22030	EFA AK 22040	EFH AK 22050	EFH AK 22060	EFH AK 22070	EFH AK 22080	EFH AK 22090	EFH AK 220100	EFH AK 200120

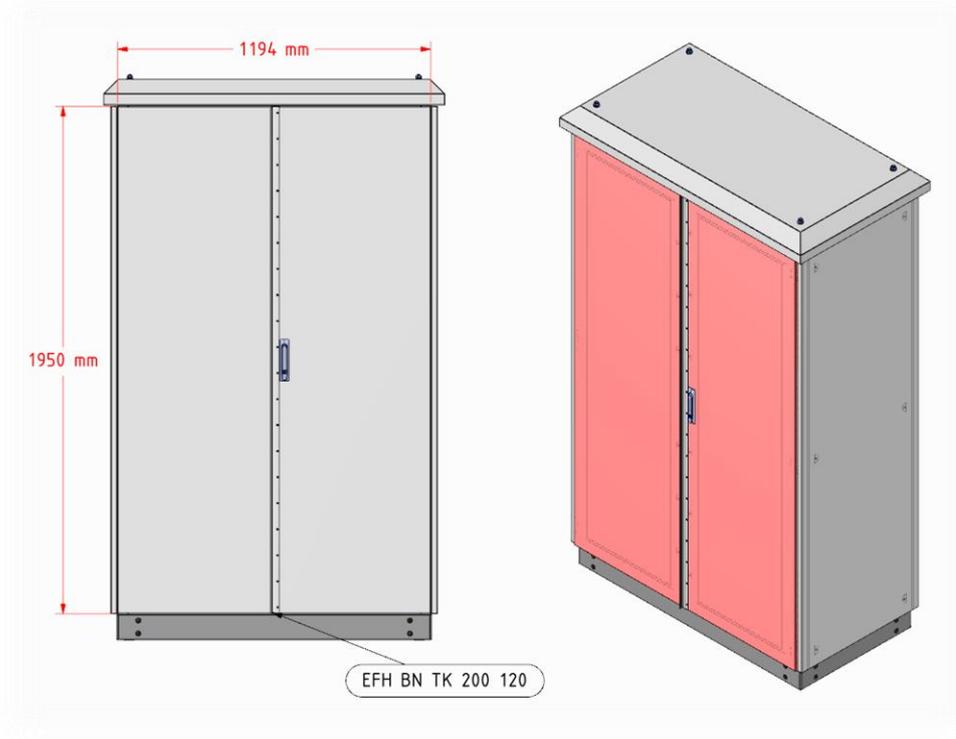
EF H SERIES FRONT DOORS -EF H OK

EF H FRONT DOORS- INFORMATION

- **EF H** series front doors are represented with **EF H OK** code. doors are equipped with swing handle type lock mechanism and locked from 4 points. It is supported with required profiles from the inner surface to prevent undesired expansions.
- Door picture and measures are same as **EF** series.
- Wide open space usage in front area is provided with **EF H** double door system. It is defined with **EFH BN TK** code. There aren't applications that reduce IP level in **EF H** series such as glass type, filtered, fan etc.

EF H SERIES FRONT DOORS – EF H OK									
CABINET NOMINAL WIDTH MEASURES – (cm)									
CABINET NOMINAL HEIGHT(cm)		30	40	50	60	70	80	90	100
	140	EFH OK 14030	EFH OK 14040	EFH OK 14050	EFH OK 14060	EFH OK 14070	EFH OK 14080	EFH OK 14090	EFH OK 140100
	160	EFH OK 16030	EFH OK 16040	EFH OK 16050	EFH OK 16060	EFH OK 16070	EFH OK 16080	EFH OK 16090	EFH OK 160100
	180	EFH OK 18030	EFH OK 20040	EFH OK 20050	EFH OK 20060	EFH OK 20070	EFH OK 20080	EFH OK 20090	EFH OK 200100
	200	EFH OK 20030	EFH OK 20040	EFH OK 20050	EFH OK 20060	EFH OK 20070	EFH OK 20080	EFH OK 20090	EFH OK 200100
	220	EFH OK 22030	EFH OK 22040	EFH OK 22050	EFH OK 22060	EFH OK 22070	EFH OK 22080	EFH OK 22090	EFH OK 220100

EF H SERIES LAP FRONT DOORS -EF H BN TK



EF H SERIES DOUBLE FRONT DOORS – EFH BN TK				
CABINET NOMINAL WIDTH – (cm)				
	80	100	120	
CABINET NOMINAL HEIGHT (cm)	140	EFH BN TK 14080	EFH BN TK 140100	EFH BN TK 140120
160	EFH BN TK 16080	EFH BN TK 160100	EFH BN TK 160120	
180	EFH BN TK 18080	EFH BN TK 180100	EFH BN TK 180120	
200	EFH BN TK 20080	EFH BN TK 200100	EFH BN TK 200120	
220	EFH BN TK 22080	EFH BN TK 220100	EFH BN TK 220120	

EF SERIES ACCESSORIES



**** Please consult to our firm for accessories and measurement details not contained in the catalogue.**

AY BOLD M12 D MAPA TK. (SHACKLE SET)

Product usage area : Panels being hoisted from above with a crane.

Amount /Pcs: 1 set 2 pcs

Size : Metric 12 monotype

Material : Cast

Color:Galvanic



EF L MAPA TK (SHACKLE SET)

Product usage area : Combined panels being hoisted from above with a crane.

Amount /Pcs: 1 set 2 pcs

Size : Metric 12 mounting

Material : sheet-gzr 4 mm

Color:Galvanic



EF MAPA TK (SHACKLE SET)

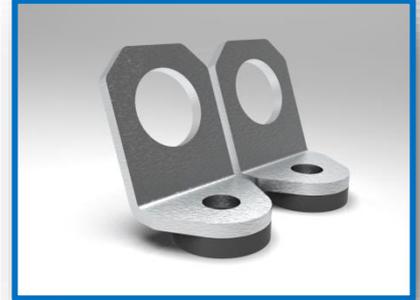
Product usage area : Panels being hoisted from above with a crane.

Amount /Pcs: 1 set 2 pcs

Size : Metric 12 mounting. Consult for measurement details.

Material : Sheet –gzr 4mm

Color:Galvanic



AYD TE TK (LIGHTING FIXING SET)

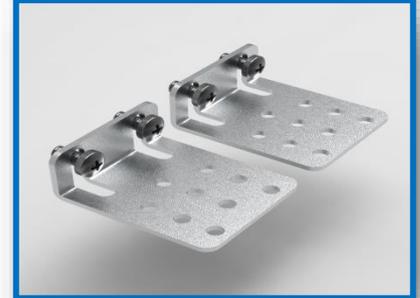
Product usage area : Panel interior lighting fixture mounting.

Amount /Pcs: 1 set 2 pcs

Size : Consult for measurement details.

Material : sheet –gzr 2 mm

Color:Galvanic



EF DST TK (DEPTH ADJUSTED FIXING SET)

Product usage area : Mounting plates fixing.

Amount /Pcs: 1 set 2 pcs

Size : Consult for measurement details.

Material : Sheet –gzr 2 mm

Color:Galvanic



**** Please consult to our firm for accessories and measurement details not contained in the catalogue.**

EF DST 01 TK (DEPTH ADJUSTED FIXING SET MODEL 2)

Product usage area : W automatic rail mounting.

Amount /Pcs: 1 set 2 pcs

Size : Consult for measurement details.

Material : sheet-gzr 2mm

Color:Galvanic

**EF KBN BE TK (CABINET ASSEMBLING MATERIAL)**

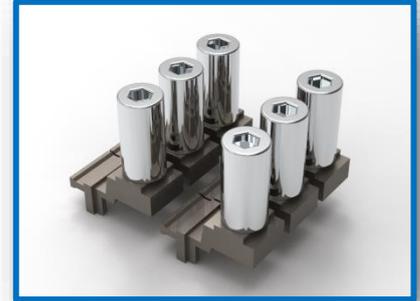
Product usage area : Cabinet assembling from vertical profiles.

Amount /Pcs: 1 set 6 pcs

Size : Metric 6

Material : zamak casting & steel bolt

Color: Krom

**EF KBN BE TK 01 (CABINET ASSEMBLING MATERIAL MODEL 2)**

Product usage area : Cabinet assembling from vertical profiles

Amount /Pcs: 1 set 6 pcs

Size : Consult for measurement details.

Material : Sheet –gzr 2mm

Color:Chrome

**EF MP PRF TE TK (MOUNTING PLATE FIXING SET)**

Product usage area : Mounting plates profiles fixing.

Amount /Pcs: 1 set 4 pcs

Size : Consult for measurement details.

Material : sheet – gzr 2 mm

Color:Galvanic

**EF KNL TE TK .01 (CABLE CHANNEL FIXING SET)**

Product usage area : Cable channel fixing.

Amount /Pcs: 1 set 2 pcs

Size : Consult for measurement details.

Material : Sheet – gzr 2 mm

Color:Galvanic



**** Please consult to our firm for accessories and measurement details not contained in the catalogue.**

EF KNL TE TK (CABLE CHANNEL FIXING SET MODEL 2)

Product usage area : Cable channel fixing.

Amount /Pcs: 1 set 2 pcs

Size : Consult for measurement details.

Material : Sheet – gZR 2 mm

Color:Galvanic

**EF MA TE TK (PROFILE FIXING SET)**

Product usage area : Fixing of MA type profiles.

Amount /Pcs: 1 set 2 pcs

Ebat : Consult for measurement details.

Material : Casting zamak & steel bolt

Color:Galvanic

**EF MB TE TK (PROFILE FIXING SET)**

Product usage area : Fixing of MB type profiles.

Amount /Pcs: 1 set 2 pcs

Size : Consult for measurement details.

Material : Sheet – gZR 2mm

Color:Galvanic

**EF PRF TE TK (PROFILE FIXING SET)**

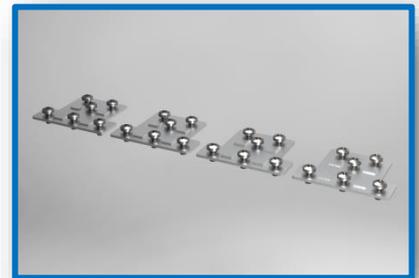
Product usage area : T connector between vertical and horizontal profiles.

Amount /Pcs: 1 set 4 pcs

Size : Consult for measurement details.

Material : sheet – gZR 2 mm

Color:Galvanic

**EF PRF TE .01 TK (PROFILE FIXING SET MODEL 2)**

Product usage area : For general fixing on DP and YP profiles.

Amount /Pcs: 1 set 4 pcs

Size : Consult for measurement details.

Material : Sheet – gZR 2 mm

Color:Galvanic



**** Please consult to our firm for accessories and measurement details not contained in the catalogue.**

EF TF 225 (TOP FAN)

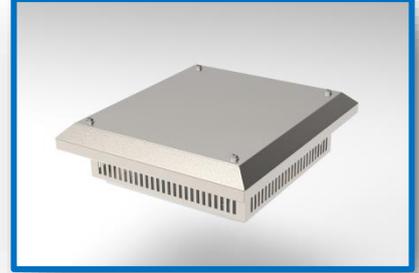
Product usage area : Panel top ventilation

Amount /Pcs: 1 pcs. (fan engine is optional)

Size : Mounting width area 225 mm*225 mm

Material : sheet-dkp 1,5mm

Color:Ral 7035 std.

**EKA FLT 40100 (FILTER)**

Product usage area : Fanlı veya fansız hava filtresi sacı. Air filter sheet with or without fan.

Amount /Pcs: 1 set 2 pcs

Size : Measures vary to be fit for 40 cm and 100 cm shutter sizes.

Material : Sheet dkp 1mm

Color:Ral 7035 std.

**EF PRJ CB (PROJECT POCKET)**

Product usage area : Interior shutter document case

Amount /Pcs: 1 pcs

Size : In A4 and A5 sizes.

Material : Plastic

Color:Gray

**EF LTP SP 50.80 (LAPTOP TABLE)**

Product usage area : Interior shutter hinged laptop table

Amount /Pcs: 1 pcs

Size : In 50 cm and 80 cm shutter inner measures.

Material : sheet – dkp 1,5 mm

Color:Optional

**EF MFZ 80-120 (VENT)**

Product usage area : Ventilation in shutter or panel side wall.

Amount /Pcs: 1 pcs

Size : In 80 mm and 120mm square sizes.

Material : Plastic

Color:Grey



**** Please consult to our firm for accessories and measurement details not contained in the catalogue.**

EF KBN PRF 30.120 (CABINET PROFILE)

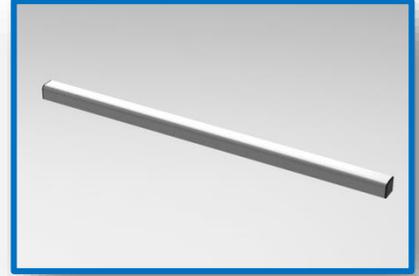
Product usage area : Cabinet top & bottom supplementary profile.

Amount /Pcs: 1 pcs

Size: In the range of 30 cm- 120 cm cabinet sizes.

Material : aluminium+plastic

Color:Aluminium-anodised

**EF SY TP 1 (SWITCH LIFTING)**

Product usage area : Adjusted lifting for compact switches.

Amount /Pcs: 1 pcs /3 parted

Size: 145mm *95 mm* 70 mm Size 1

Material : Sheet gwr 2mm

Color: Galvanic

**EF SY TP 2 (SWITCH LIFTING)**

Product usage area : Adjusted lifting for compact switches..

Amount /Pcs: 1 pcs /3 parted

Size: 170mm *125 mm* 60 mm Size 2

Material : Sheet -gwr 2mm

Color:Galvanic

**EF SY TP 3 (SWITCH LIFTING)**

Product usage area : Adjusted lifting for compact switches.

Amount /Pcs: 1 pcs /3 parted

Size: 260mm *185 mm* 60 mm Size 3

Material : sheet - gwr 2 mm

Color:Galvanic

**EF SY TP 4 (SWITCH LIFTING)**

Product usage area : Adjusted lifting for compact switches.

Amount /Pcs: 1 pcs /4 parted

Size: 55mm *50 mm* 50 mm Size4 (parçalı+profil destekli kullanım)

Material : Sheet - gwr 2 mm

Color:Galvanic



**** Please consult to our firm for accessories and measurement details not contained in the catalogue.**

EF MST PEN (BUSBAR SUPPORT)

Product usage area : Grounding and neutral support.

Amount /Pcs: 1 pcs

Size: 60mm *30 mm* 30 mm

Material : sheet gwr 2 mm

Color:Galvanic

**EF DR TP (DRAINAGE PLUG)**

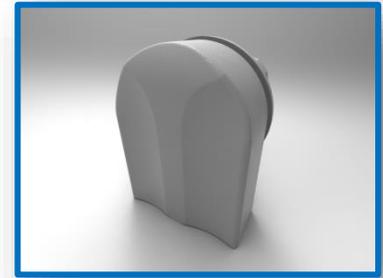
Product usage area : Panel ventilation..

Amount /Pcs: 1 pcs

Size: 70mm *55 mm* 22 mm bore diameter 21 mm

Material : Plastic

Color: Gray

**EF KBL KNL TE (CHANNEL FIXING)**

Product usage area : Channel mounting to automatic rail.

Amount /Pcs: 1 pcs

Size: For channels of 120mm *30 mm* 35 mm - 40 mm width

Material : plastic

Color: Black



QUALITY CERTIFICATES



СИСТЕМА СЕРТИФИКАЦИИ ГОСТ Р
ФЕДЕРАЛЬНОЕ АГЕНТСТВО ПО ТЕХНИЧЕСКОМУ РЕГУЛИРОВАНИЮ И МЕТРОЛОГИИ

СЕРТИФИКАТ СООТВЕТСТВИЯ

№ РОСС ТР.ИИ61.1808456
Срок действия с 15.06.2020 по 14.06.2023
№ 0571429

ОРГАН ПО СЕРТИФИКАЦИИ В А.Р.У.11НН61
Орган по сертификации ООО "ЦЕРТИМ", Адрес: 150000, РОССИЯ, Ивановская область, город Иваново, улица Богдана Хмельницкого, дом 34В, телефон +7 4932773165. Адрес электронной почты info@certim.ru

ПРОДУКЦИЯ Основание для Электротехнической аппаратуры торговой марки "EkaTech".
Серийный выпуск: КОД ОК 27.12.32

СООТВЕТСТВУЕТ ТРЕБОВАНИЯМ НОРМАТИВНЫХ ДОКУМЕНТОВ
Спецификация изготовителя: КОД ТН ВЭД

ИЗГОТОВИТЕЛЬ Eka pano ve kabin sistemleri san. tic. ltd. ti. Адрес: ТУРЦИЯ, Аккабургаз mahallesi 3101 sokak no 8/1 Eseyurt, Istanbul, Turkey.

СЕРТИФИКАТ ВЫДАН Eka pano ve kabin sistemleri san. tic. td. ti. Адрес: ТУРЦИЯ, Аккабургаз mahallesi 3101 sokak no 8/1 Eseyurt, Istanbul, Turkey.

НА ОСНОВАНИИ
Протокол испытаний № 602R-15/06-20 от 15.06.2020 года, выданный Испытательной лабораторией Общества с ограниченной ответственностью "ТАНПАЛ" (аттестат аккредитации РОСС RU.31578.640.016.ИИ13)

ДОПОЛНИТЕЛЬНАЯ ИНФОРМАЦИЯ
Срок действия: 3с

Руководитель органа: П.Г. Руднев
Эксперт: В.И. Шарков

Сертификат не применяется при обязательной сертификации

GOST-R

YERLİ MALİ BELGESİ

İSTANBUL SANAYİ ODASI

Belgenin Veriliş Tarihi : 15.09.2020 Belgenin Geçerlilik Tarihi : 15.09.2021 Belge No : 2020108366110
Üretici Ünvanı: EKA PANO VE KABIN SİSTEMLERİ SANAYİ TİCARET LİMİTED ŞİRKETİ

İşyeri Adresi: Akcaburgaz Mah.3101.Sok.No:8/1 ESENYURT/İSTANBUL

Üreticinin Vergi Kimlik No: 3260277633 TC Kimlik No: MERSİS No : 0326027763300010

Teléfono: 212-4713999 E-posta: ekapano@ekapano.com.tr
Faks: 212-4713986 Web Adresi: www.ekapano.com.tr

Ticaret Sicil No: 789017 Üye Sicil No: 41497

Ürün Adı: Elektrik panosu (Aparatınamı)
Ürün Kodu (PROCODOM/TİP): 27.12.40.30.00 /
Teknik Özellikler/Marka Adı, Modeli, Seri Numarası, Cinsi): Marka Adı: EKA PANO

Kapama Raporunun Tarihi :26.11.2018 No : 25236 Geçerlilik Süresi :25.11.2020
Sanayi Sicil Belgesinin Tarihi :09.04.2013 No : 612564

Yerli Katkı Oranı : % 99,41

Ürünün Teknolojik Düzeyi (düşük-orta-düşük-orta-yüksek/ülçesiz): orta-yüksek

Diğer bilgi ve belgeler :

İşbu belge Bilim, Sanayi ve Teknoloji Bakanlığı'nun 13/09/2014 tarih ve 29118 sayılı Resmî Gazetede yayımlanan "Yerli Malî Tebliği (SGM 2014/33)" no sinde ve TOBB tarafından hazırlanan "Yerli Malî Belgesinin Düzenlenmesi Uygulama Esaslarına" göre 15.09.2020 tarihinde düzenlenmiştir. Belgenin geçerlik süresi veriliş tarihinden itibaren bir yıl geçerlidir.

Düzenleyen Oda/Borsa
İSTANBUL SANAYİ ODASI

DOMESTIC PRODUCTION CERTIFICATE

УТВЕРЖДЕННАЯ КОПИЯ СЕРТИФИКАТА ИСО-АТТЕСТАЦИОННОГО СЕРТИФИКАТА
ISO-ATTESTATION CERTIFICATE

Belirli Gerilim Sınırları İçin Tasarlanan
Elektrikli Ekipman ile ilgili Yönetmelik - 2014/35/AB
The Low Voltage Directive - 2014/35/EU

Belge Numarası : CE 19-0016-01R01
Kuruluşun Adı : EKA PANO VE KABIN SİSTEMLERİ SAN. VE TİC. LTD.ŞTİ.
Kuruluşun Adresi : AKCABURGAZ MAH. 3101 SK. NO: 8/1 ESENYURT / İSTANBUL
Üretim Yeri Adı : EKA PANO VE KABIN SİSTEMLERİ SAN. VE TİC. LTD.ŞTİ.
Üretim Yeri Adresi : AKCABURGAZ MAH. 3101 SK. NO: 8/1 ESENYURT / İSTANBUL
Ürün Tanımı : BÖŞ MAHFAZALAR
Ticari Marka : EKA PANO
Model : EMH SERİSİ HARİCİ PANO, EM SERİSİ DUVAR TİPİ PANO, EF SERİSİ DİKKİLİ TİPİ MODÜLER PANO
İlgili Yönetmelik(ler) : TS EN 62208: 2014
Rapor Numarası : 16-0346-R02-N01-01
İlk Belgelendirme Tarihi : 09 / 05 / 2019
Yeni Yayın Tarihi : 01 / 05 / 2020
Geçerlilik Tarihi : 31 / 05 / 2021

01 / 05 / 2020
Ala GÜNEŞ ANILAN
Cem AKDOĞAN

**CE DECLARATION OF CONFORMITY
CERTIFICATE OF APPROVAL**

TEST SERTİFİKASI / TEST CERTIFICATE

Number : C-19-0251-R01
Client : EKA PANO ve KABIN SİSTEMLERİ SAN. ve TİC. LTD.ŞTİ.
Manufacturer : EKA PANO ve KABIN SİSTEMLERİ SAN. ve TİC. LTD.ŞTİ.
Definition of the Samples : LOW VOLTAGE DISTRIBUTION PANEL WITH 5000 A INPUT SWITCH
Technical Data : 60kA / 300 ms
Test Standard : IEC TR 61641:2014
Subject : TEST RESULT (PASSED)
Test Application : Test Under Conditions of Arcing Due to Internal Fault
Test Report Number : 19-0251-R01-N01-01
Test Report Date : 15.04.2020
Certificate Date : 14.10.2019

Person in Charge of Test: Cem AKDOĞAN
Head of Testing Laboratory: ÇİNNİ SÖKSEL

**IEC 61641 INTERNAL ARC TEST
CERTIFICATE**



ISO 45001 CERTIFICATE



QUALITY MANAGEMENT CERTIFICATE



ENVIRONMENTAL MANAGEMENT CERTIFICATE



BOĞAZICI UNIVERSITY 100kV TEST CERTIFICATE

Please follow our website for our current certificates: <http://www.ekapano.com.tr/kalite-belgeleri>

ÜRÜN BELGESİ / PRODUCT CERTIFICATE

Lvt
cert
Product Certification

Belge Numarası: 43-1-61439R0
Kuruluşun Adı / Firma Adı: EKA PANO VE KABIN SİSTEMLERİ SAN. VE TİC. LTD. ŞTİ.
Kuruluşun Adres: AKÇABURGAZ MAH. 3101 SK. NO: 8/1 ESENYURT / İSTANBUL
Kuruluşun Üretim Yeri Adı: AKÇABURGAZ MAH. 3101 SK. NO: 8/1 ESENYURT / İSTANBUL
Kuruluşun Üretim Yeri Adresi: AKÇABURGAZ MAH. 3101 SK. NO: 8/1 ESENYURT / İSTANBUL
Tescilli Ticari Marka: EKA PANO ELEKTRİK KABIN SİSTEMLERİ / EKATECH
İlgili Standart: TS EN 61439-1:2014-AC:2014+1:2014 Akçık Gerilim Anahatlarına Düzene ve Kontrol Düzeni Panoları - Bölüm 1: Genel Kurallar IEC 61439-1:2011 Low-Voltage Switchgear And Controlgear Assemblies - Part 1: General Rules TS EN 61439-2:2012 Akçık Gerilim Anahatlarına ve Kontrol Düzeni Düzennleri - Bölüm 2: Güç Anahatlarına ve Kontrol Düzeni Düzennleri IEC 61439-2:2011 Low-Voltage Switchgear And Controlgear Assemblies - Part 2: Power Switchgear And Controlgear Assemblies

İlk Belgelendirme Tarihi: 06.09.2019
Yeni Yayın Tarihi: 04.05.2020
Belgenin Son Geçerlilik Tarihi: 03.05.2023

Belge Kapsamı

- Tip/Model: Dâhilî Tip / 5000 A GİRİŞ SAİTERİ ALI ÇAK GERİLİM DAĞITIM PANOSU
- Kullanım Alanına Göre Tip: Akçık Gerilim Anahatlarına Düzene ve Kontrol Düzeni Panoları
- Tasarımına Göre Tip: Güç Anahatlarına Düzene ve Kontrol Düzeni Panoları (PSC-PANOSU)
- Test Şartına Göre Tip: Bina içi - Sabit
- Planınun Elektrik Çerçevesine Göre Tip: Yekeli Personel
- Boyun Gerilimi (U_n): 400 V
- Çalışma Gerilimi (U_s): 400 V
- Ana Devrelerde Dâhil Değerim Gerilimi (U_{nc}): 0 kV
- Mahfazaya Montaj Şekli: Cıvatalı

(Belge Kapsamının Devamı 2.Sayfadedir)

Karekodun kullanılarak belge geçerliliğini kontrol edebilirsiniz.

04 / 05 / 2020
Ala GİR / AKÇABURGAZ
Gözetim

Lvt

ÜRÜN BELGESİ / PRODUCT CERTIFICATE

TS EN 61439-1-2 PRODUCT CERTIFICATE-SIEMENS

ÜRÜN BELGESİ / PRODUCT CERTIFICATE

Lvt
cert
Product Certification

Belge Numarası: 43-1-62208R0
Kuruluşun Adı / Firma Adı: EKA PANO VE KABIN SİSTEMLERİ SAN. VE TİC. LTD.ŞTİ.
Kuruluşun Adresi: AKÇABURGAZ MAH. 3101 SK. NO: 8/1 ESENYURT / İSTANBUL
Kuruluşun Üretim Yeri Adı: EKA PANO VE KABIN SİSTEMLERİ SAN. VE TİC. LTD.ŞTİ.
Kuruluşun Üretim Yeri Adresi: AKÇABURGAZ MAH. 3101 SK. NO: 8/1 ESENYURT / İSTANBUL
Tescilli Ticari Marka: EKA PANO
İlgili Standart: TS EN 62208:2014 - Boy Mahfazalar - Akçık Gerilim Anahatlarına ve Kontrol Düzenleri İçin - Genel Kurallar IEC 62208:2011 - Empty Enclosures For Low-Voltage Switchgear And Controlgear Assemblies - General Requirements

İlk Belgelendirme Tarihi: 31.01.2017
Yeni Yayın Tarihi: 04.05.2020
Belgenin Son Geçerlilik Tarihi: 03.05.2023

Belge Kapsamı

EMİN SERİSİ HARİCİ PANO

- Metal / Zeminde Sabitlenen / Bina Dışı
- Beyan Konuma Derecesi: IP30
- Boyutlar (Yükseklik x Genişlik x Derinlik) :300 mm x 300 mm x 150 mm 'den 2200 mm x 800 mm x 800 mm' 'a kadar
- Boyutlar (Yükseklik x Genişlik x Derinlik) :300 mm x 300 mm x 150 mm 'den 2200 mm x 800 mm x 800 mm' 'a kadar
- Planınun Sac Kalınlığı (Metal) (mm) :SOMAL Sac / 1,5 mm, 2 mm
- Kilitlenme Sistemi Malzeme - Model: MEGAN / İsparyolet / Metal
- Boya Özellikleri: İBA / Elektrokast, Top Boya / RAL 7035 / 70-120 (µm)
- Cıvata Özellikleri: ÇETİN / İmbus Vida (M6) / Altgen Başlı Vida (M12) / Akülü Vida (M5)
- Planınun Solunma Tipi: Doğal
- Mahfazaya Montaj Şekli: Cıvatalı & Kaynaklı

(Belge Kapsamının Devamı 2.Sayfadedir)

Karekodun kullanılarak belge geçerliliğini kontrol edebilirsiniz.

04 / 05 / 2020
Ala GİR / AKÇABURGAZ
Gözetim

Lvt

ÜRÜN BELGESİ / PRODUCT CERTIFICATE

TS EN - 62208 EMPTY CABINETS

P&P LMC s.r.l.

Via Patronego 9
24068 Serrate (BG)
+39 035 Tel. 3235790 - Fax 3235756
ITALY
e-mail: info@pplmc.it
web site: www.pplmc.it

SEISMIC TESTS ON EKA PANO ELECTRICAL PANEL

MODEL: EF SERIES, EF PLUS SERIES

TEST REPORT

ON BEHALF OF: EKA PANO VE KABIN SİSTEMLERİ SAN. TİC. LTD. ŞTİ.

RAT-MTL-ELE20-023-R00

Document of 46 pages

MICHELE CIVERA
14.05.2020
10:01:29
UTC

Written:	Misaro Amadei	<i>Misaro Amadei</i>	11/05/2020
Verified and approved:	Michele Civera	<i>Michele Civera</i>	12/05/2020

IEC 60068 - 2 - 3 SEISMIC TEST WITH ASSEMBLY

P&P LMC s.r.l.

Via Patronego 9
24068 Serrate (BG)
+39 035 Tel. 3235790 - Fax 3235756
ITALY
e-mail: info@pplmc.it
web site: www.pplmc.it

SEISMIC TESTS ON ELECTRICAL PANEL MODEL: EF SERIES, EF PLUS SERIES (UP TO 5000 A, FROM 4B)

TEST REPORT

ON BEHALF OF: EKA PANO VE KABIN SİSTEMLERİ SAN. TİC. LTD. ŞTİ.

RAT-MTL-ELE20-092-R01

Document of 47 pages

Written:	Lorenzo Masini	<i>Lorenzo Masini</i>	18/12/2020
Verified and approved:	Stefano Casari	<i>Stefano Casari</i>	22/12/2020

CASARI STEFANO
08.01.2021
09:15:17
UTC

IEC 60068-2-3 ELECTRO MOUNTING TEST

Please follow our website for our current certificates: <http://www.ekapano.com.tr/kalite-belgeleri>

Lvt
TEST LABORATUVARLARI LTD. ŞTİ.

TEST SERTİFİKASI / TEST CERTIFICATE

No : C-20-1261-R1
 Katılımcı : EKA PANO ve KABIN SİSTEMLERİ SAN. ve TİC. LTD.ŞTİ.
 İmalatçı : EKA PANO ve KABIN SİSTEMLERİ SAN. ve TİC. LTD.ŞTİ.
 Ürün Tanımı : EKA-KP-48-GP
 Teknik Veri : IK10, IP40, IP20
 Test Standardı : IEC 60670-1:2015, IEC 60670-24:2011
 Konu : TEST SONUCU (OLUMLU)
 Uygulanan Test(ler) : IEC 60670-1:2015, IEC 60670-24:2011 GÜVENLİK DENEYLERİ
 Test Rapor Numarası : 20-1261-R1-NB-8
 Rapor Tarihi : 16.03.2021
 Sertifika Tarihi : 16.03.2021

Deney Sorumlusu : Cem AKDOĞAN
 Laboratuvar Müdürü : Cahit GÖKSEL

IEC 60670-1 EMPTY ENCLOSURE

FRT.88 / Rev01 / 1019
 Saray Modern Keresteciler San. Sit. 4. Cad. No: 9 K.Kazan - Ankara - TÜRKİYE
 Tel : +90 312 815 13 25 - 26 • Fax : +90 312 815 13 27 • e-mail : lvt@lvt.com.tr

Lvt
TEST LABORATUVARLARI LTD. ŞTİ.

TEST SERTİFİKASI / TEST CERTIFICATE

No : C-20-1260-R1
 Katılımcı : EKA PANO ve KABIN SİSTEMLERİ SAN. ve TİC. LTD.ŞTİ.
 İmalatçı : EKA PANO ve KABIN SİSTEMLERİ SAN. ve TİC. LTD.ŞTİ.
 Ürün Tanımı : EKA-KP-SA-48-GP
 Teknik Veri : IK10, IP40, IP20
 Test Standardı : IEC 60670-1:2015, IEC 60670-24:2011
 Konu : TEST SONUCU (OLUMLU)
 Uygulanan Test(ler) : IEC 60670-1:2015, IEC 60670-24:2011 GÜVENLİK DENEYLERİ
 Test Rapor Numarası : 20-1260-R1-NB-8
 Rapor Tarihi : 29.03.2021
 Sertifika Tarihi : 29.03.2021

Deney Sorumlusu : Cem AKDOĞAN
 Laboratuvar Müdürü : Cahit GÖKSEL

**IEC 60670-1 EMPTY ENCLOSURE-
BUILT-IN**

FRT.88 / Rev01 / 1019
 Saray Modern Keresteciler San. Sit. 4. Cad. No: 9 K.Kazan - Ankara - TÜRKİYE
 Tel : +90 312 815 13 25 - 26 • Fax : +90 312 815 13 27 • e-mail : lvt@lvt.com.tr

Lvt
TEST LABORATUVARLARI LTD. ŞTİ.

TEST SERTİFİKASI / TEST CERTIFICATE

No : C-20-1261-R1
 Katılımcı : EKA PANO ve KABIN SİSTEMLERİ SAN. ve TİC. LTD.ŞTİ.
 İmalatçı : EKA PANO ve KABIN SİSTEMLERİ SAN. ve TİC. LTD.ŞTİ.
 Ürün Tanımı : EKA-KP-48-PD
 Teknik Veri : IK10, IP40, IP20
 Test Standardı : IEC 60670-1:2015, IEC 60670-24:2011
 Konu : TEST SONUCU (OLUMLU)
 Uygulanan Test(ler) : IEC 60670-1:2015, IEC 60670-24:2011 GÜVENLİK DENEYLERİ
 Test Rapor Numarası : 20-1261-R1-N4-4
 Rapor Tarihi : 16.03.2021
 Sertifika Tarihi : 16.03.2021

Deney Sorumlusu : Cem AKDOĞAN
 Laboratuvar Müdürü : Cahit GÖKSEL

IEC 60670-1 MOUNTED ENCLOSURE

FRT.88 / Rev01 / 1019
 Saray Modern Keresteciler San. Sit. 4. Cad. No: 9 K.Kazan - Ankara - TÜRKİYE
 Tel : +90 312 815 13 25 - 26 • Fax : +90 312 815 13 27 • e-mail : lvt@lvt.com.tr

Lvt
TEST LABORATUVARLARI LTD. ŞTİ.

TEST SERTİFİKASI / TEST CERTIFICATE

No : C-20-1260-R1
 Katılımcı : EKA PANO ve KABIN SİSTEMLERİ SAN. ve TİC. LTD.ŞTİ.
 İmalatçı : EKA PANO ve KABIN SİSTEMLERİ SAN. ve TİC. LTD.ŞTİ.
 Ürün Tanımı : EKA-KP-SA-48-PD
 Teknik Veri : IK10, IP40, IP20
 Test Standardı : IEC 60670-1:2015, IEC 60670-24:2011
 Konu : TEST SONUCU (OLUMLU)
 Uygulanan Test(ler) : IEC 60670-1:2015, IEC 60670-24:2011 GÜVENLİK DENEYLERİ
 Test Rapor Numarası : 20-1260-R1-N4-4
 Rapor Tarihi : 29.03.2021
 Sertifika Tarihi : 29.03.2021

Deney Sorumlusu : Cem AKDOĞAN
 Laboratuvar Müdürü : Cahit GÖKSEL

**IEC 60670-1 MOUNTED ENCLOSURE-
BUILT-IN**

FRT.88 / Rev01 / 1019
 Saray Modern Keresteciler San. Sit. 4. Cad. No: 9 K.Kazan - Ankara - TÜRKİYE
 Tel : +90 312 815 13 25 - 26 • Fax : +90 312 815 13 27 • e-mail : lvt@lvt.com.tr

Please follow our website for our current certificates: <http://www.ekapano.com.tr/kalite-belgeleri>

CONTACT



Address:

Eka pano ve kabin sistemleri sanayi ticaret limited sirketi
Akcaburgaz Mahallesi 3101 Sokak No :8/1 Istanbul -Türkiye



Phone :+90 (212) 671 39 99



E-mail : eka@ekapano.com.tr



Web : www.ekapano.com.tr



You can follow us on social media...



[LinkedIn](#)



[YouTube](#)

NOTIFICATIONS

- Eka Ef Series Catalogue 2022_03_31 V1.0_eng_PDF
- © Data, document and visuals in this catalogue cannot be duplicated and reproduced in any way without the written approval of Eka pano ve kabin sistemleri sanayi ticaret limited sirketi.
- Eka pano ve kabin sistemleri sanayi ve ticaret limited sirketi reserves the right of amending the product features stated in this catalogue without advance notice.
- Eka pano ve kabin sistemleri sanayi ve ticaret limited sirketi shows maximum effort for the correctness of the visuals and descriptions in the catalogue. However, our firm cannot be hold responsible for losses incurring due to the possible physical or digital printing errors.
- Trademarks used in the catalogue and trademarks holders' rights are protected within the scope of Turkish Code of Commerce numbered 6100.
- Colors used in the catalogue are for the purposes of visibility and specification. It may not comply exactly with the product physical features. There might be differences such as surface difference, color shade difference, etc.
- Structural pictures in the catalogue belong to the references using Eka products. Measurements used in the catalogue are rounded up.

EKA

— ELEKTROTEKNİK —
— ЕЛЕКТРОТЕХНІК —

